

### Preparation - What you need

- Some table space
- Small pair of **side-cutters**
- **PVA glue** (wood glue, hobby glue etc)
- A **file** or small piece of **sandpaper** (used to remove any tab stubs that *may* remain after being clipped by the cutters).

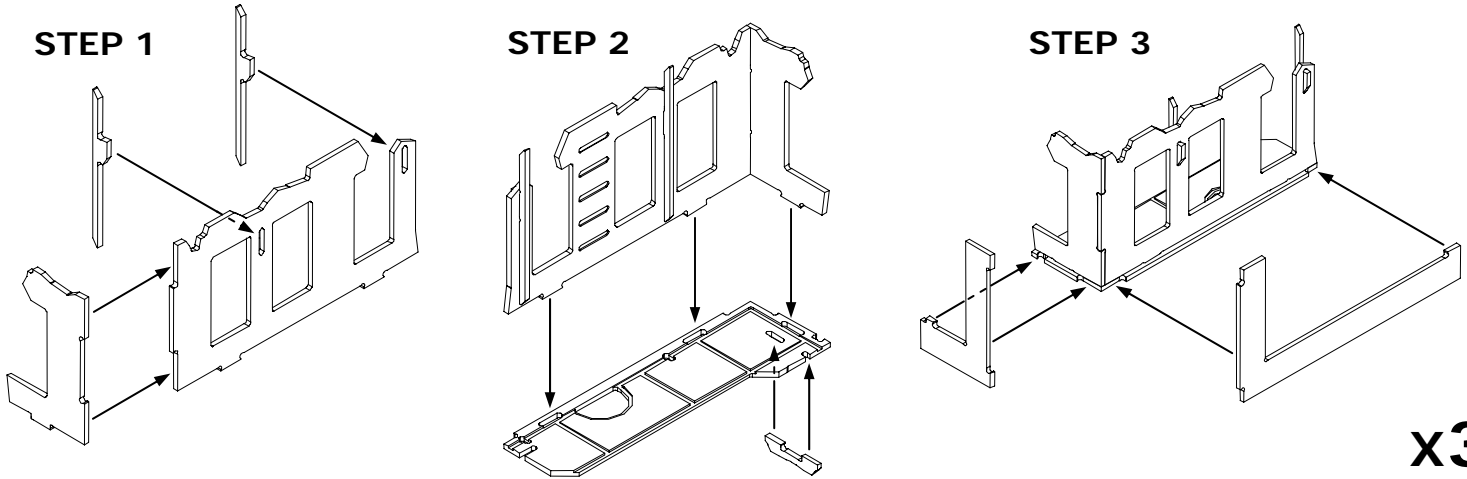
### Gluing

Apply a small amount of glue wherever there is a connection.

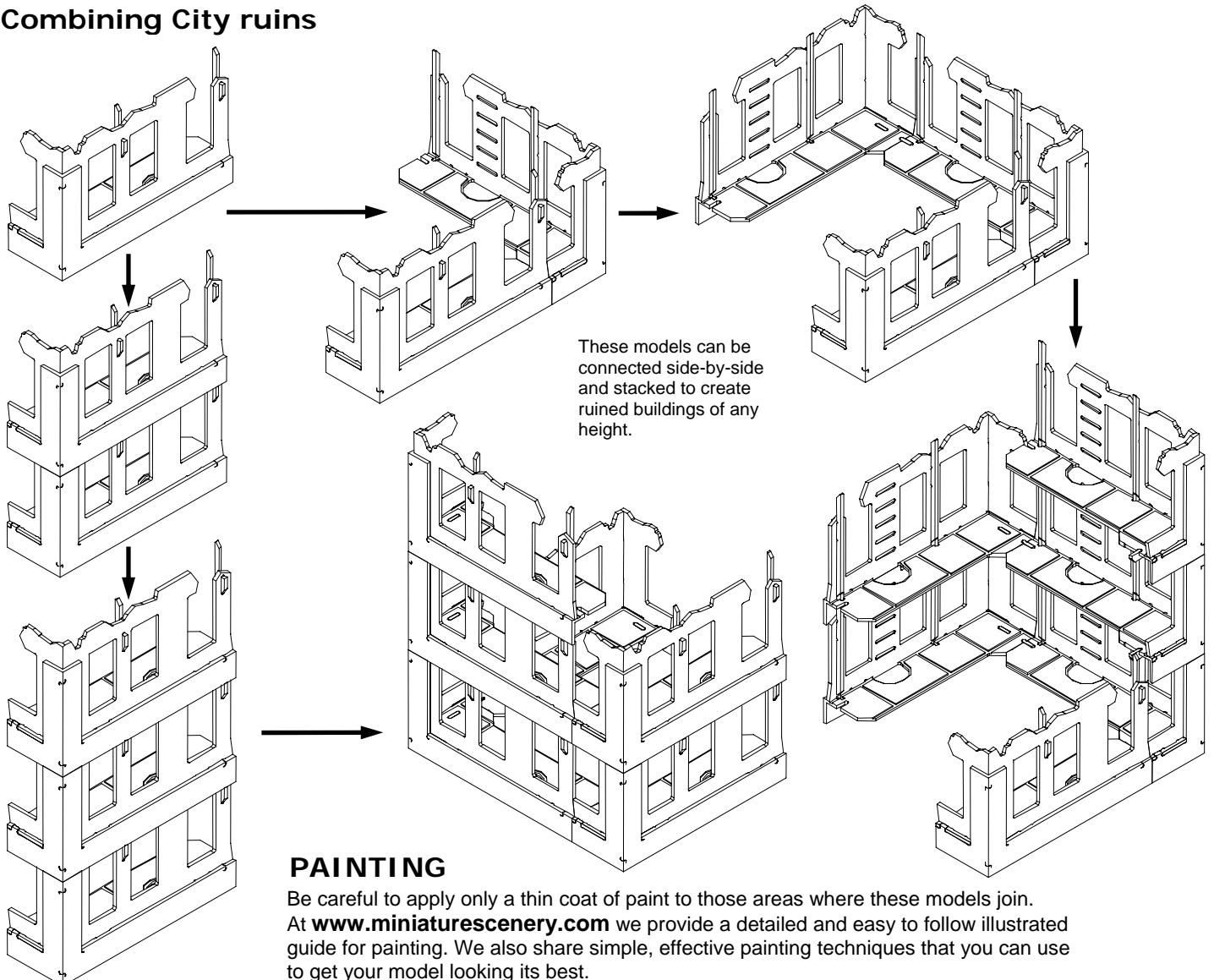
Watch out for any grit or clumps in the glue that may cause unevenness.

### Construction

- Use cutters to separate the parts from the panel.
- Go over each part again with the side-cutters to completely remove the tabs (you should only need the file or sandpaper for minor cleaning touch-ups).
- Use a file or sand paper last to clean any remaining tab fragments.



### Combining City ruins



### PAINTING

Be careful to apply only a thin coat of paint to those areas where these models join. At [www.miniaturescenery.com](http://www.miniaturescenery.com) we provide a detailed and easy to follow illustrated guide for painting. We also share simple, effective painting techniques that you can use to get your model looking its best.