

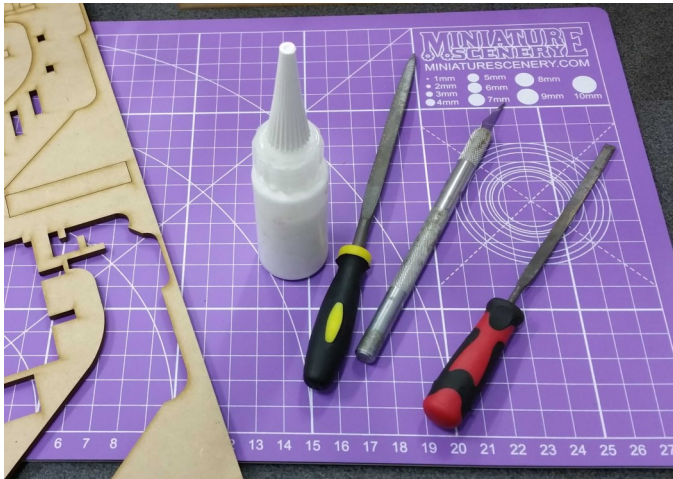
MINIATURE SCENERY

INSTRUCTIONS ELVENETH LIBRARY

PREPARATION

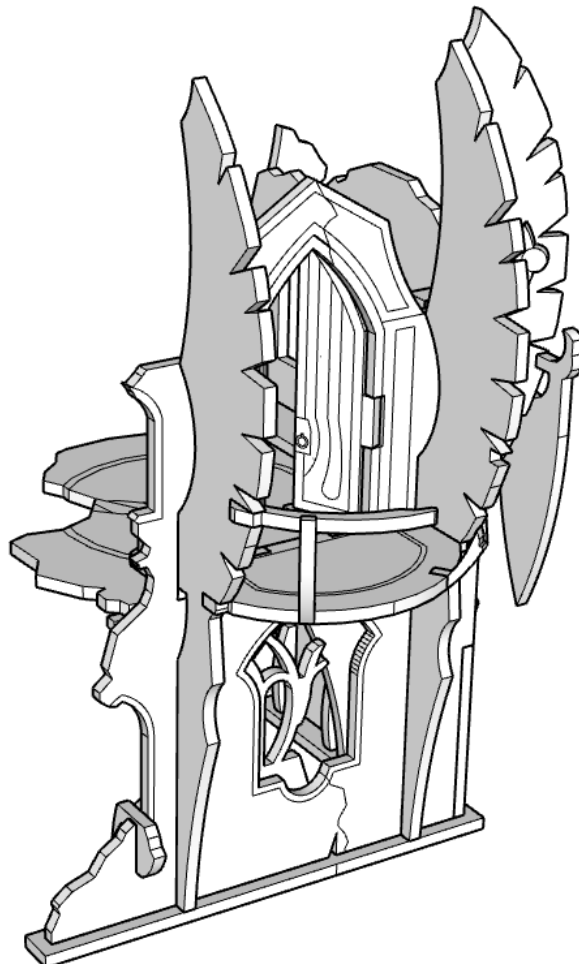
You will need:

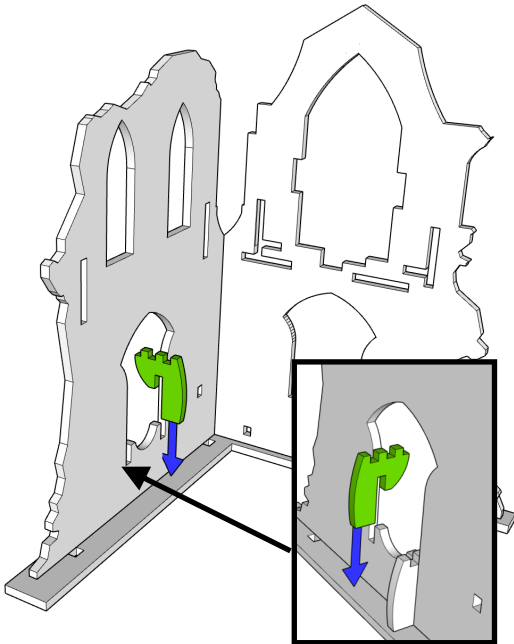
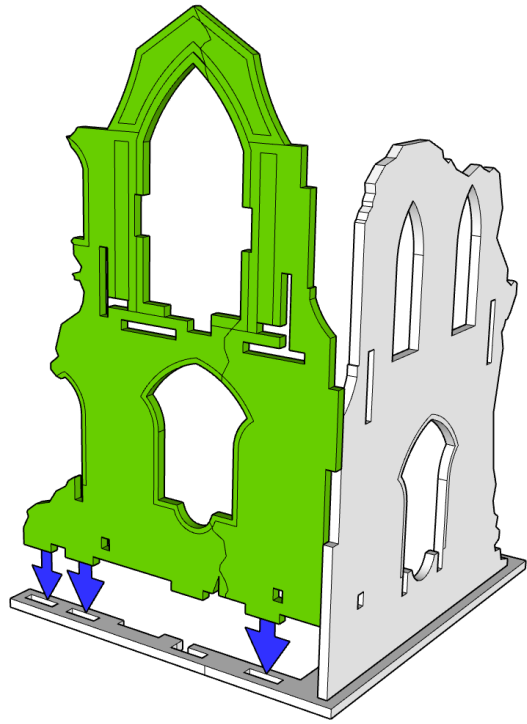
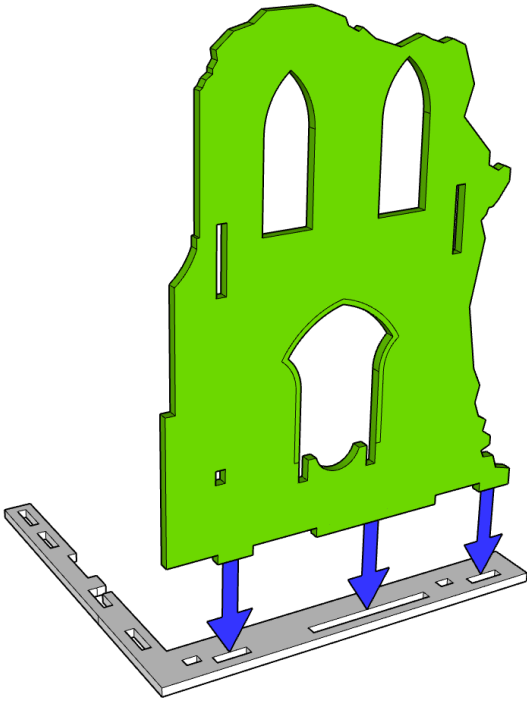
- Cutting mat or something to protect your table.
- PVA/Wood glue or superglue if you prefer.
- Small file or sand paper.
- Small blade / hobby knife



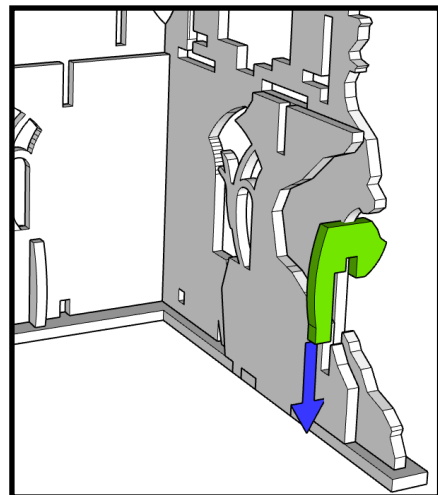
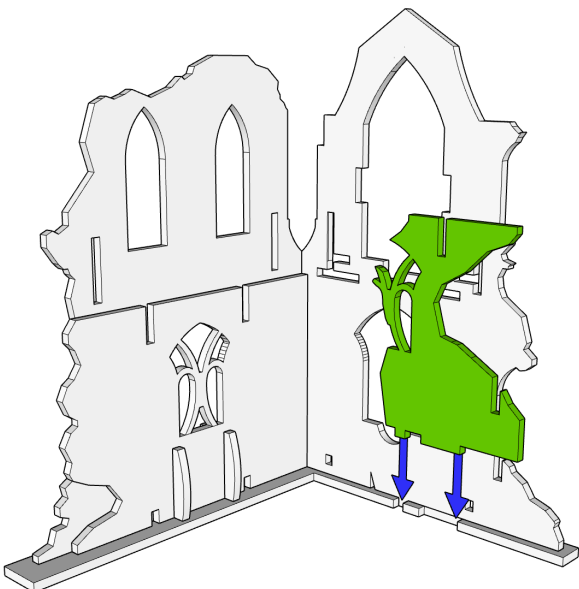
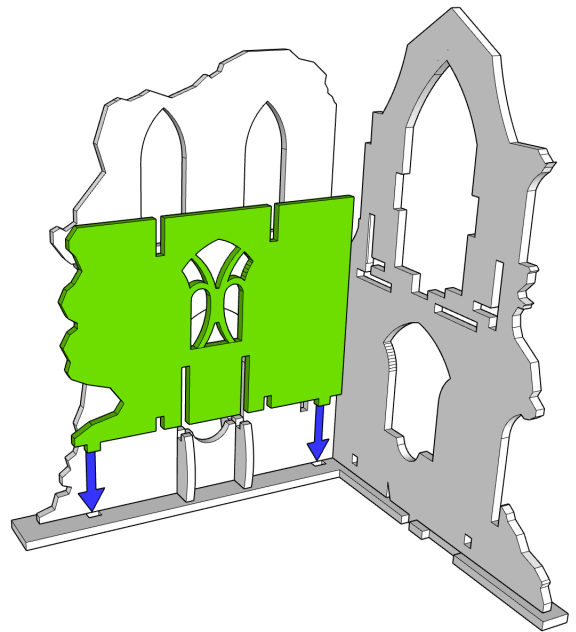
GENERAL PROCESS

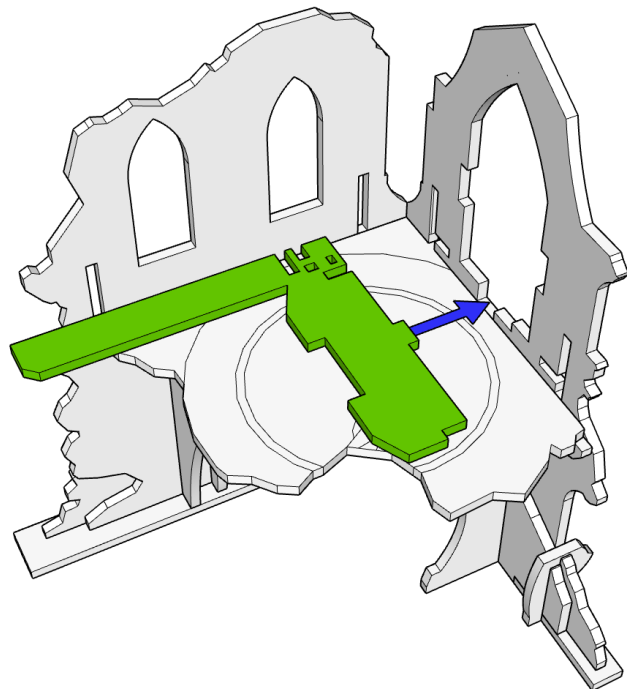
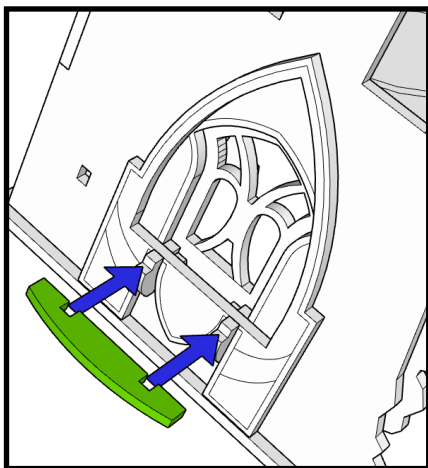
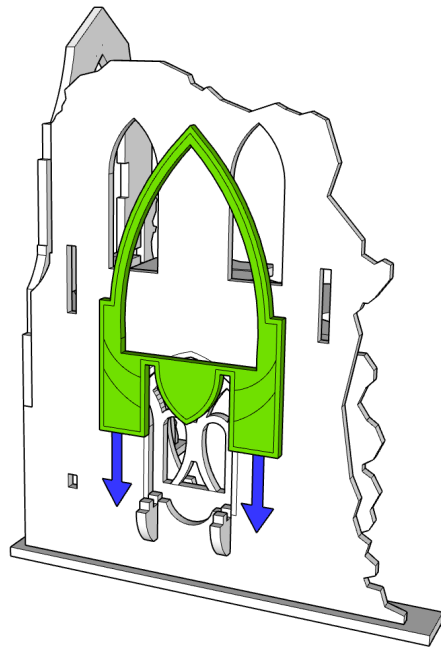
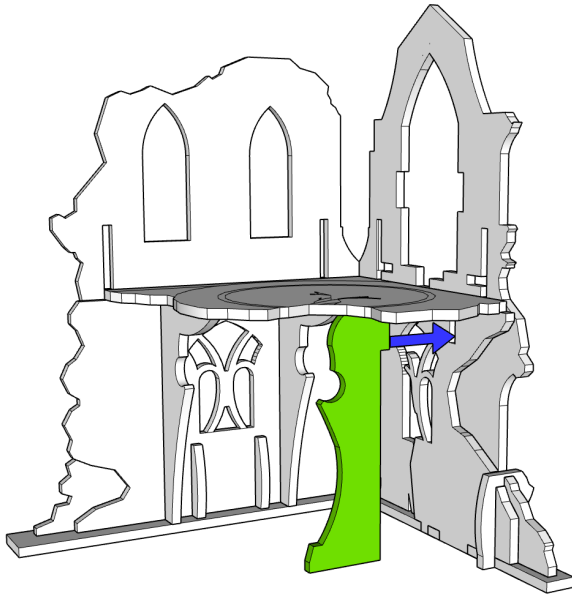
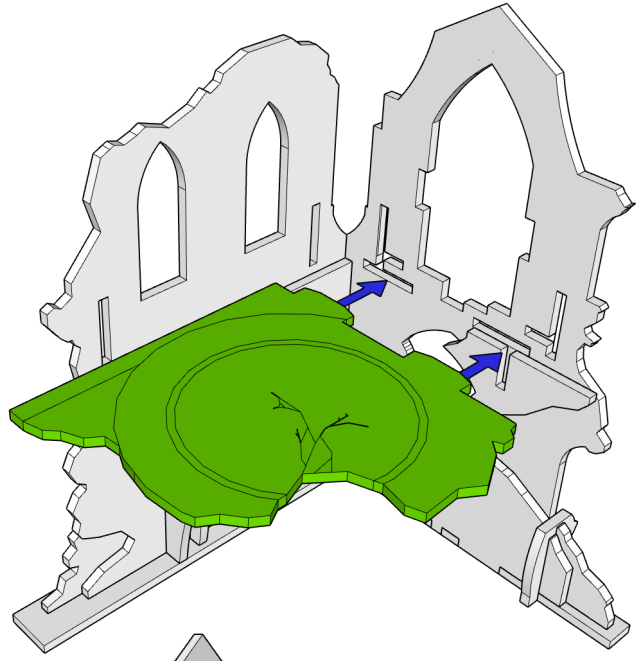
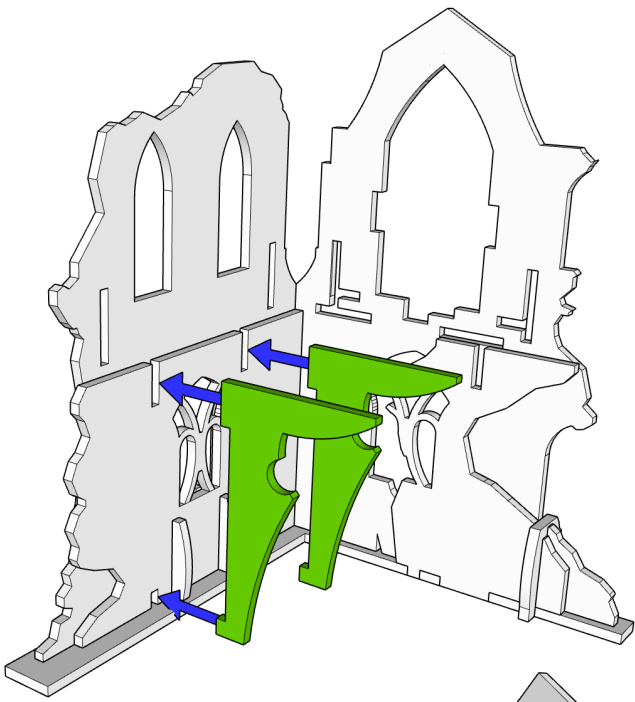
- Clear plenty of table space, you will need it.
- Parts should remove easily from the board by pressing through and popping them out. It's a good idea to cut through the tiny joins first though, and some parts (particularly smaller, more detailed parts) may need more careful persuasion.
- Use file or sand paper to remove the small bur caused by the connection to the frame.
- It's a good idea to familiarise yourself with how the pieces fit together before gluing.
- Slot the parts together as shown by the pictures below, applying glue wherever there is a connection. (unless shown otherwise)
- Parts may be a very tight fit, slight trimming or sanding of parts may be needed for ease of assembly.

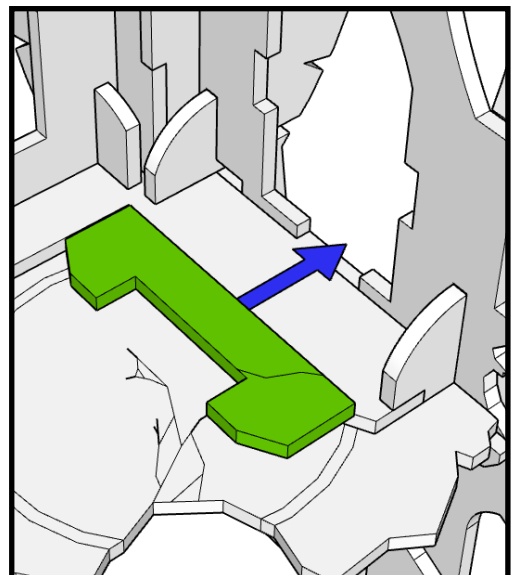
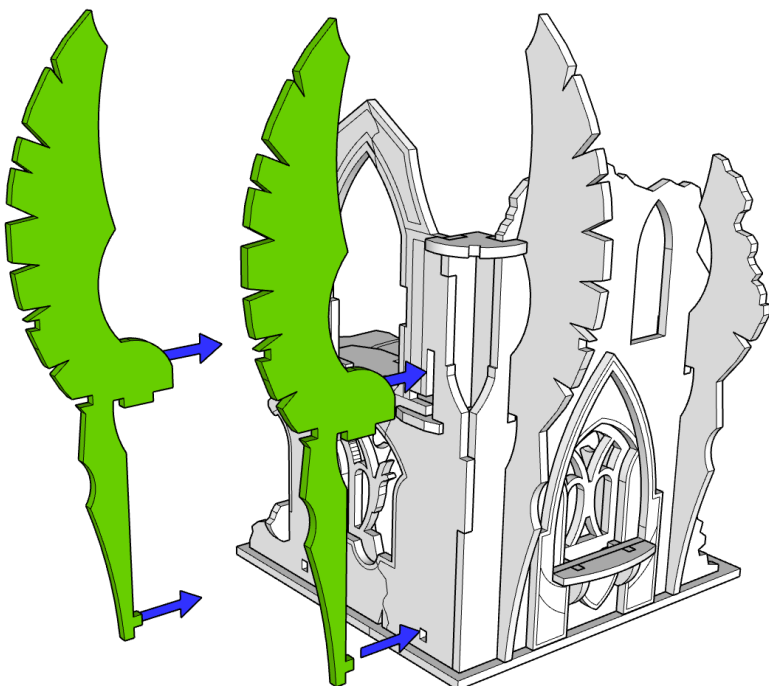
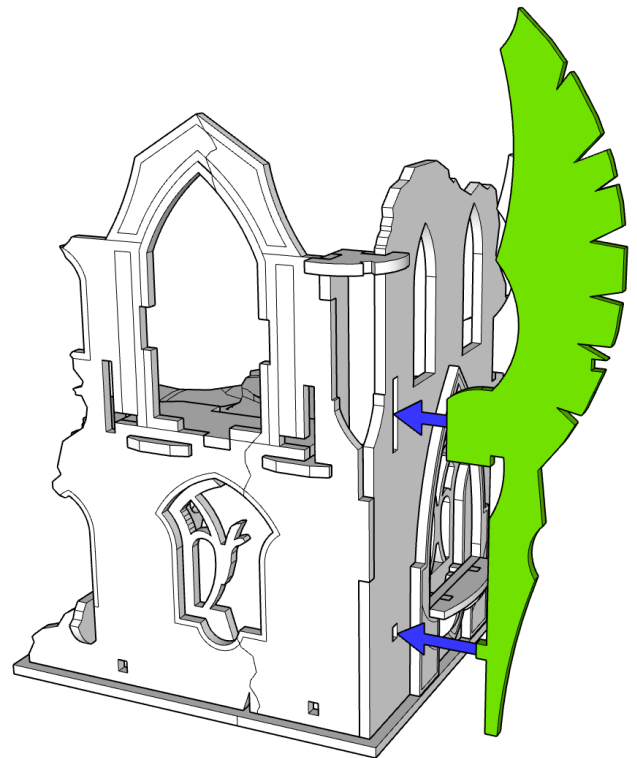
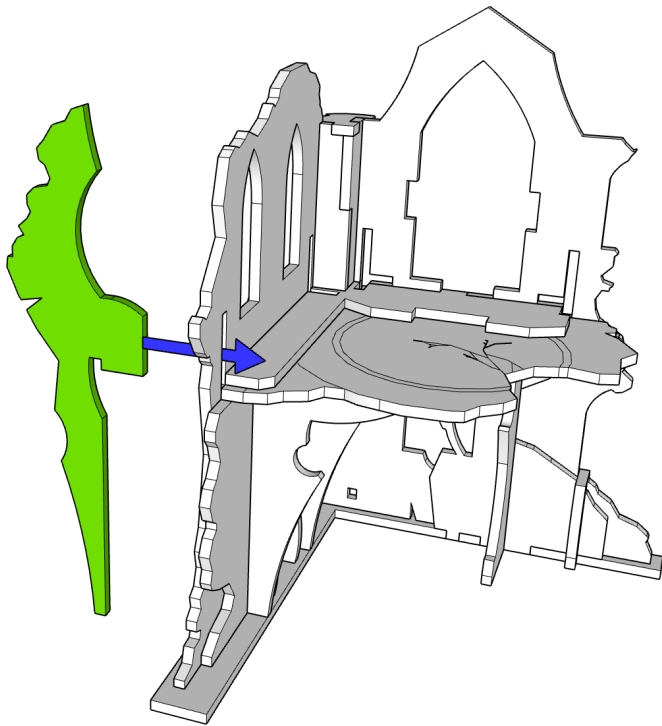
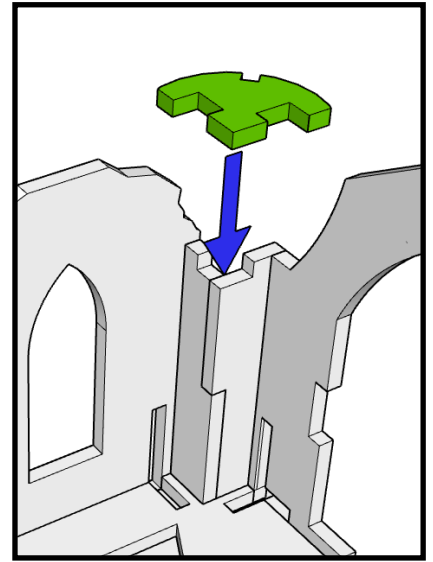
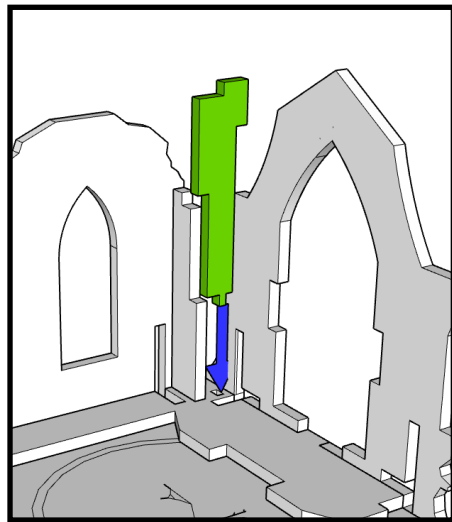
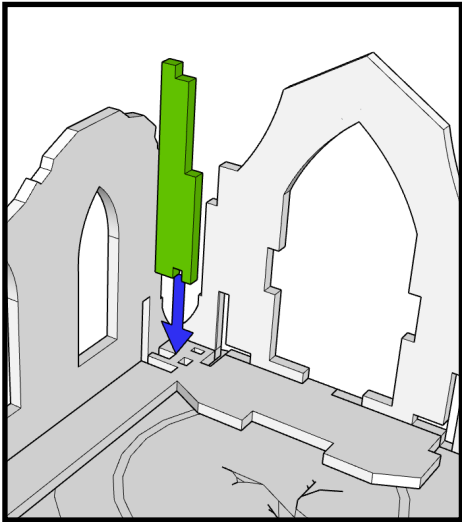


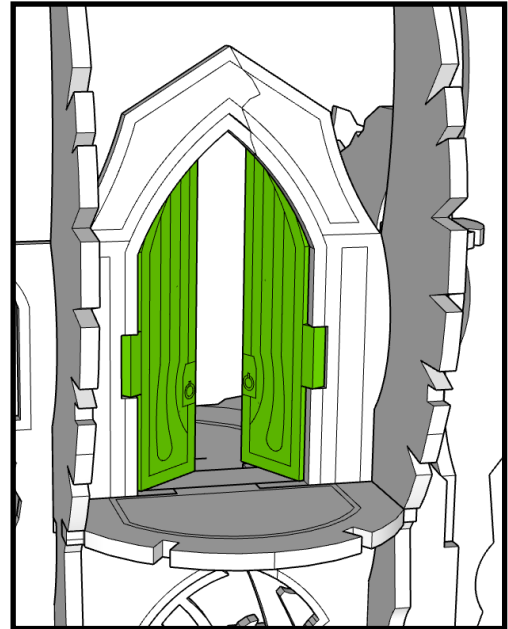
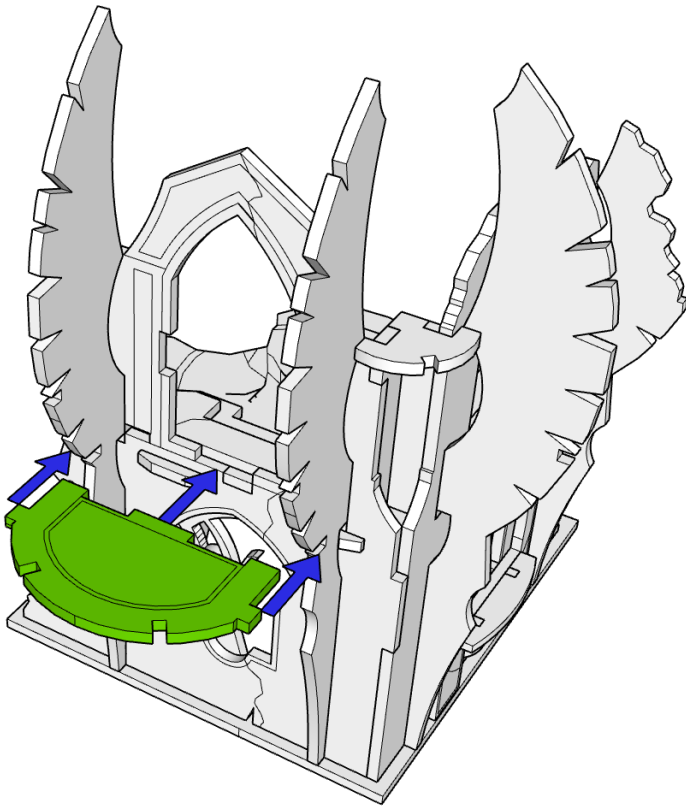


Same window other side

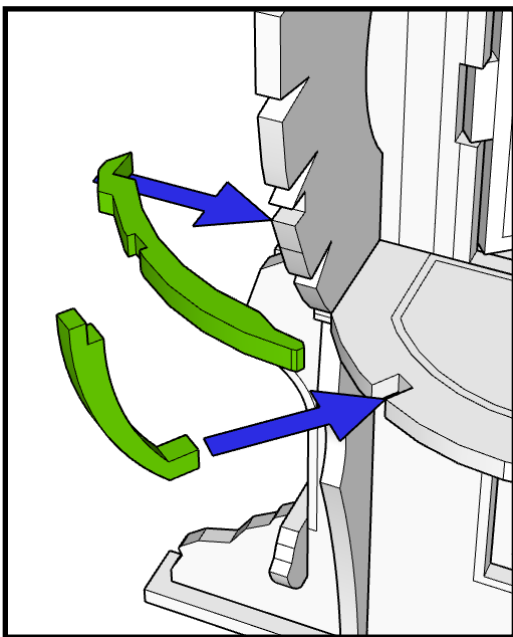








Recommend to position doors so a model will not fit through them



This railing is very fiddly.
Use lots of glue.
Good Luck!

