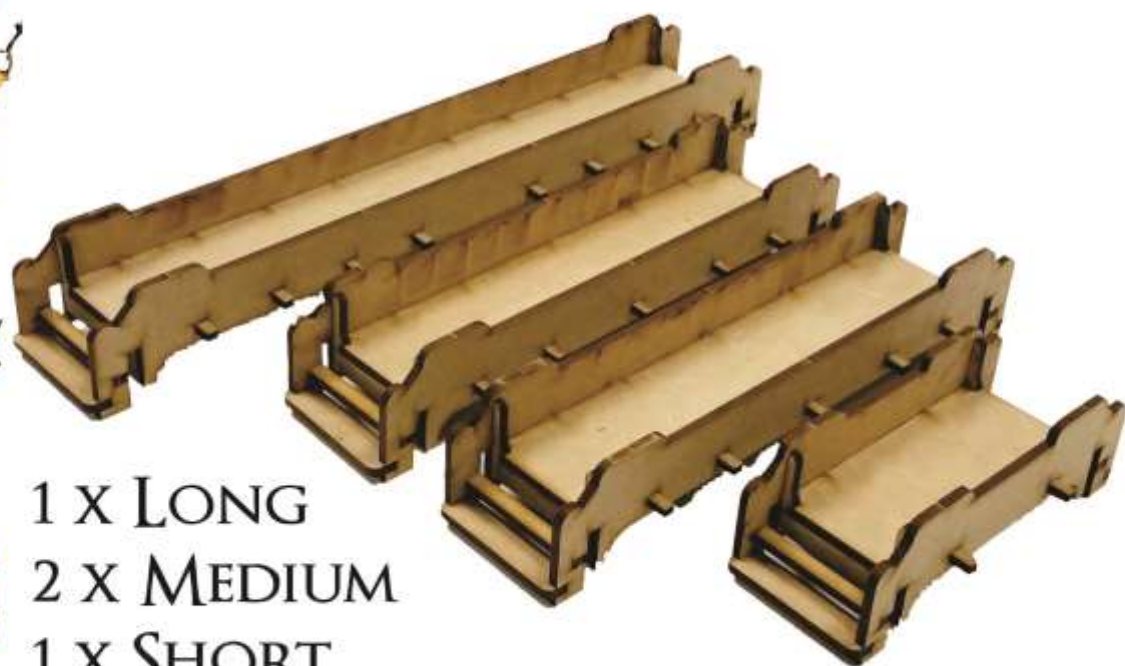


# MINIATURE SCENERY

## OASIS MIXED BRIDGES



1 X LONG  
2 X MEDIUM  
1 X SHORT

INSTRUCTIONS AVAILABLE AT [MINIATURESCENERY.COM](http://MINIATURESCENERY.COM)

MODEL SUPPLIED UNASSEMBLED AND UNPAINTED



**CE** FOR DETAILED, EASY TO FOLLOW INSTRUCTIONS VISIT  
[WWW.MINIATURESCENERY.COM](http://WWW.MINIATURESCENERY.COM)

Contents may contain small parts. Not suitable for children under 8 years old. The exclusive copyright on the model designs and components within this case is the property of Miniature Scenery, 2016. All rights reserved.



# MINIATURE SCENERY

## INSTRUCTIONS MEDIUM BRIDGE

### PREPARATION

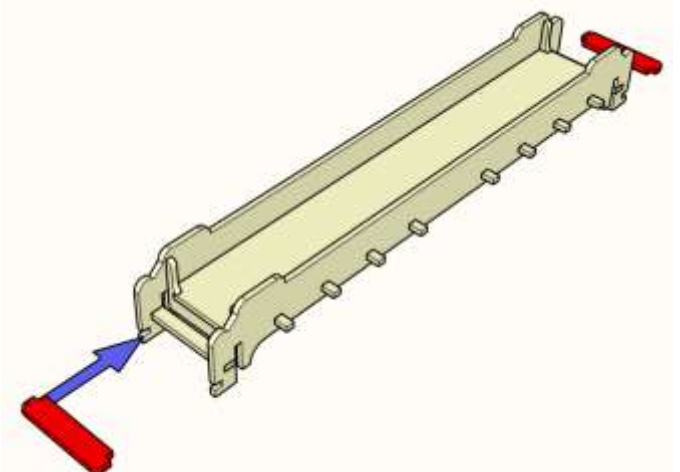
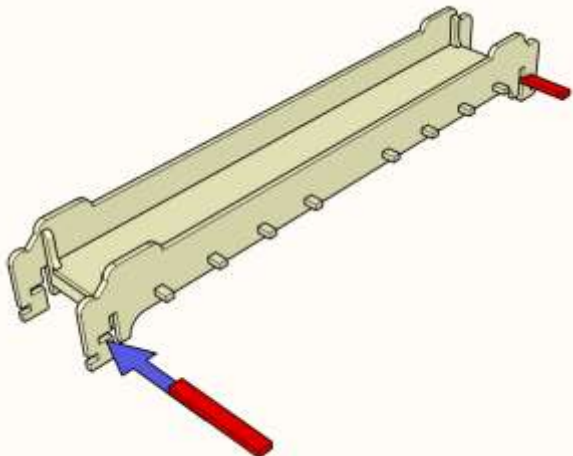
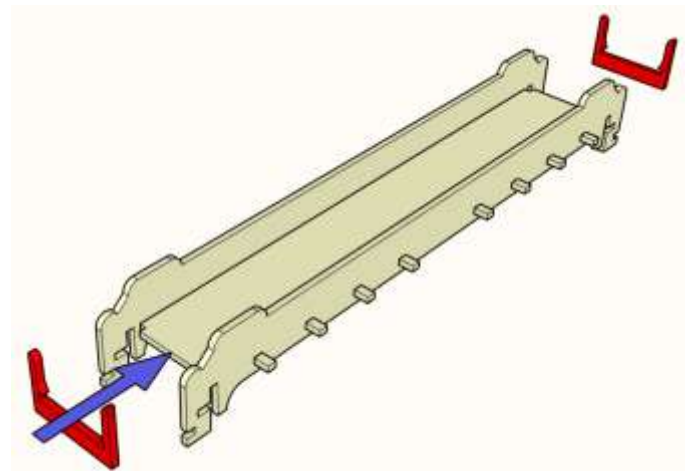
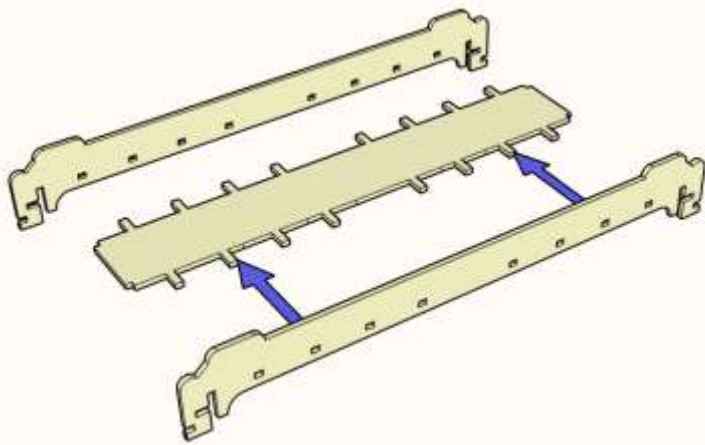
You will need:

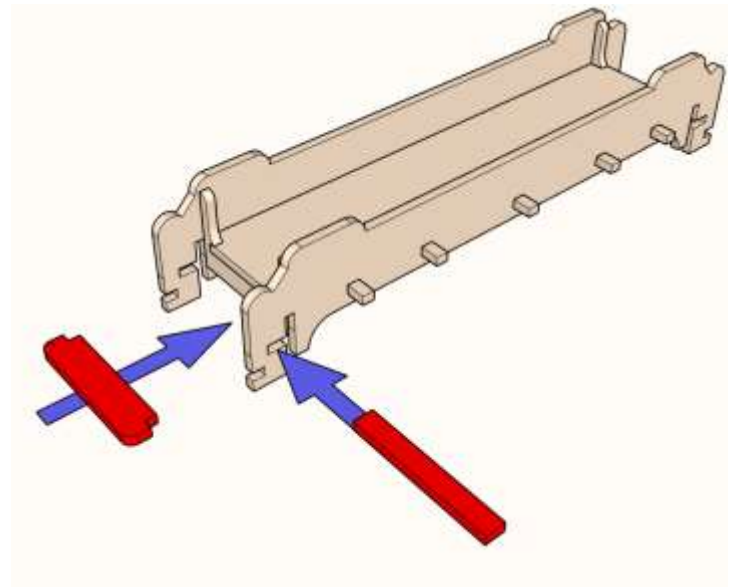
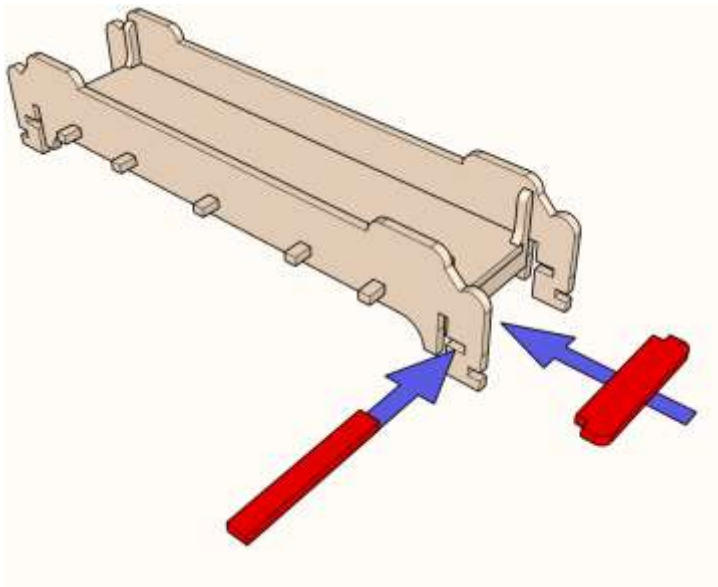
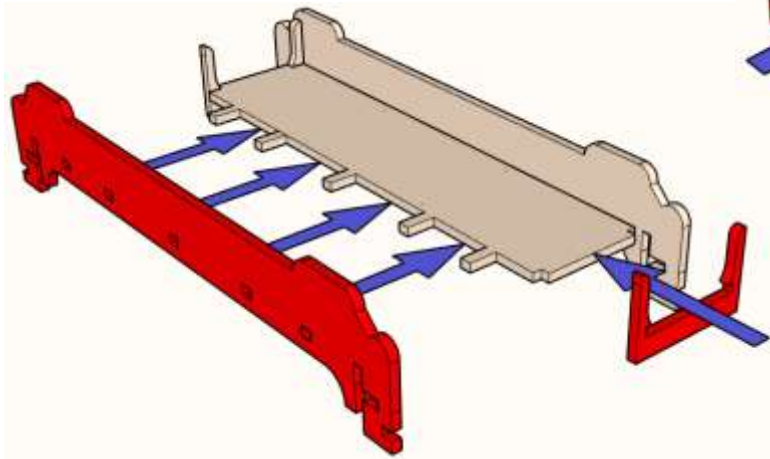
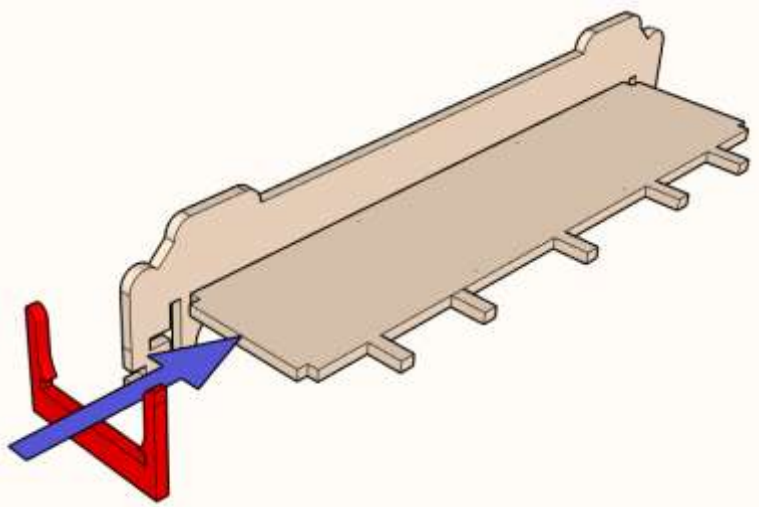
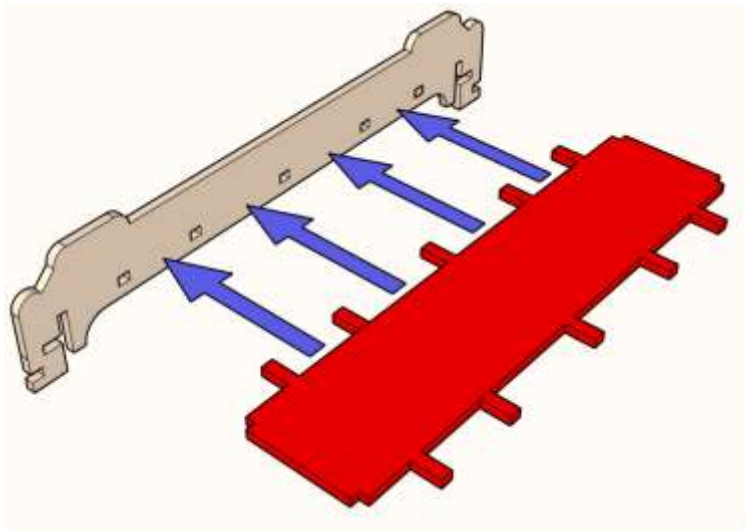
- Cutting mat or something to protect your table.
- PVA/Wood glue or superglue if you prefer.
- Small file or sand paper.
- Small blade / hobby knife



### GENERAL PROCESS

- Clear plenty of table space, you will need it.
- Parts should remove easily from the board by pressing through and popping them out. It's a good idea to cut through the tiny joins first though, and some parts (particularly smaller, more detailed parts) may need more careful persuasion.
- Use file or sand paper to remove the small bur caused by the connection to the frame.
- It's a good idea to familiarise yourself with how the pieces fit together before gluing.
- Slot the parts together as shown by the pictures below, applying glue wherever there is a connection. (unless shown otherwise)
- Parts may be a very tight fit, slight trimming or sanding of parts may be needed for ease of assembly.





x2

