

Preparation

Once you clear some table space you will need a pair of side cutters and glue (PVA, wood glue, hobby glue). A file or small piece of sandpaper can be used to clean along any edges that have burr.

Your model can hold together without glue, so you may wish to assemble it initially, to familiarise yourself with how the pieces fit together.

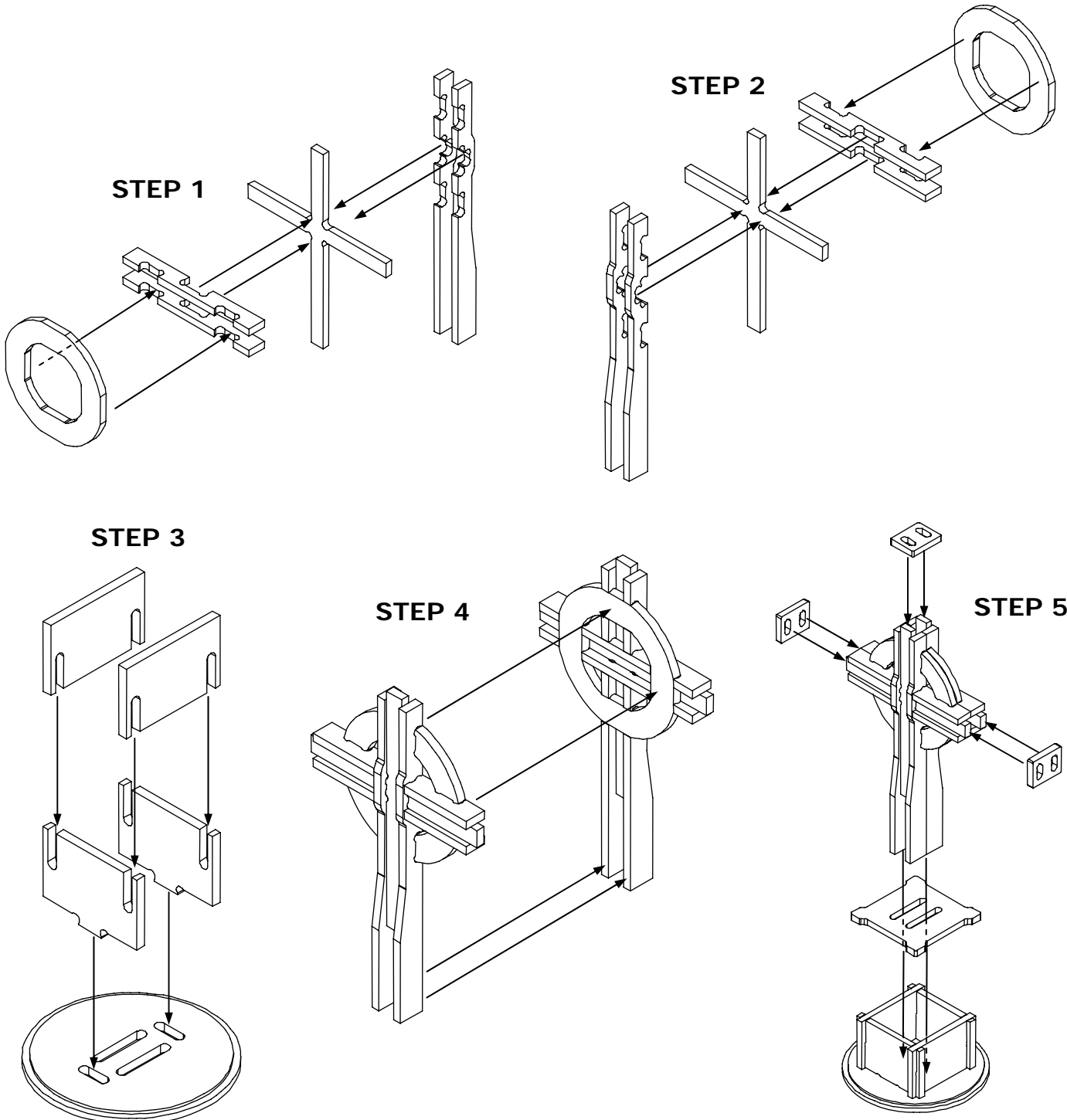
Getting Started

- i. Remove all the parts out of the board with your cutters.
- ii. Go over each part again with the cutters removing as much of the tabs as possible (this greatly reduces the time needed with the file or sand paper).
- iii. Use a file or sand paper last to completely remove the tabs that might remain.

Construction

Slot the parts together as shown by the pictures below, applying glue wherever there is a connection.

Allow the model to completely dry before painting it.



PAINTING

At www.miniaturescenery.com we provide a detailed and easy to follow illustrated guide for painting this series. We also share simple, effective painting techniques that you can use to get your model looking its best.