

Preparation - What you need

- Some table space
- Small pair of **cutters**
- **PVA glue** (wood glue, hobby glue)
- A **file** or small piece of **sandpaper** (used to remove any tab stubs that *may* remain after being clipped by the cutters).

Gluing

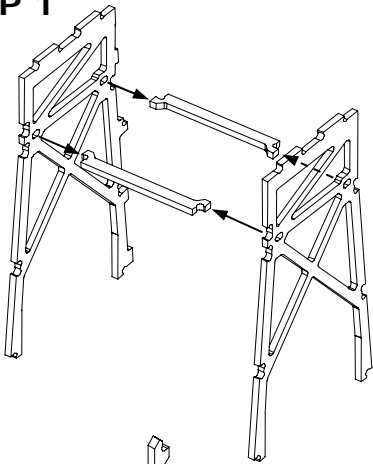
Apply a small amount of glue wherever there is a connection.

Watch out for any grit or clumps in the glue that may cause unevenness.

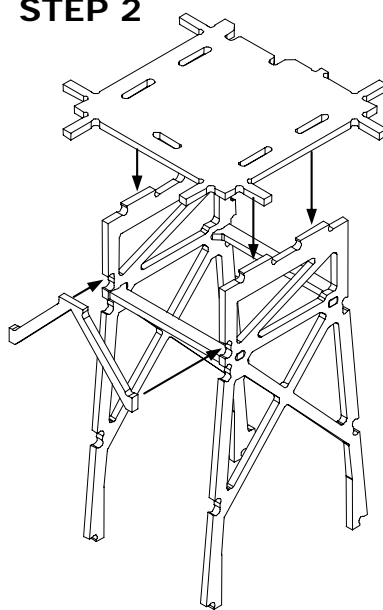
Construction

- Use cutters to separate the parts from the panel.
- Go over each part again with the cutters to completely remove the tabs (you should only need the file or sandpaper for minor cleaning touch-ups).
- Use a file or sand paper last to clean any remaining tab fragments.

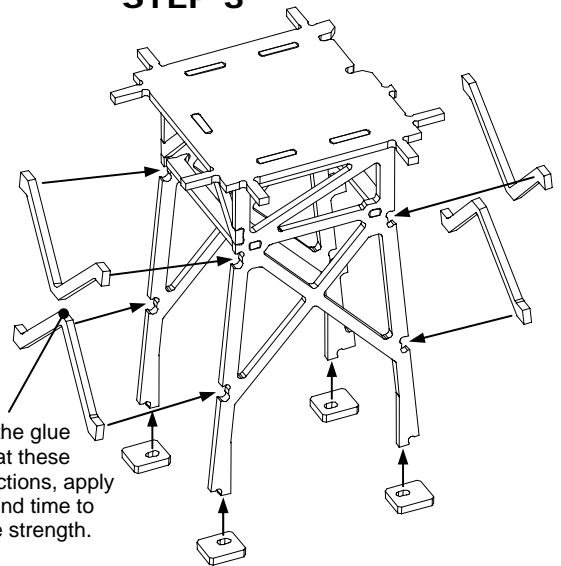
STEP 1



STEP 2

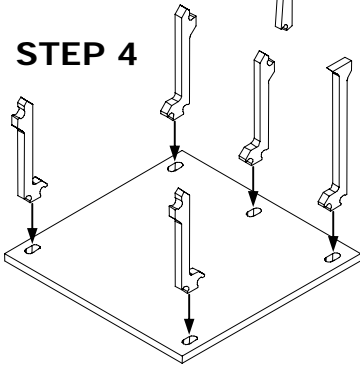


STEP 3

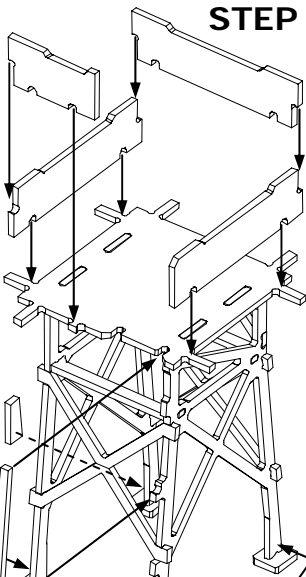


Once the glue is dry at these connections, apply a second time to ensure strength.

STEP 4



STEP 5

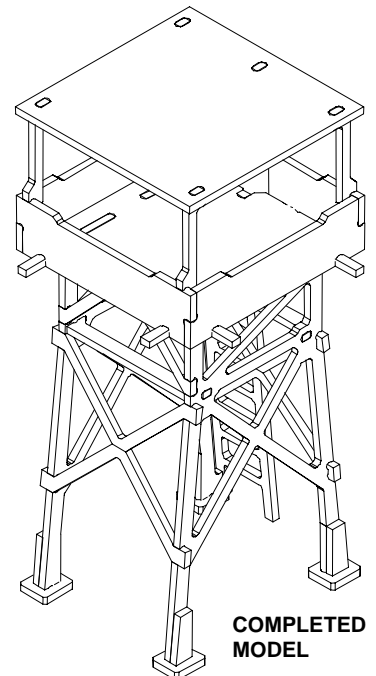
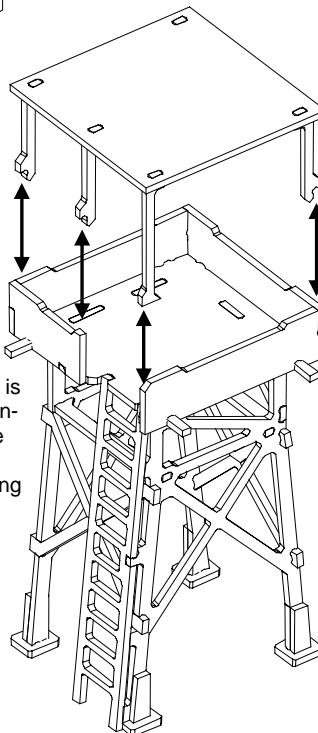


Asymmetry warning

Asymmetry warning

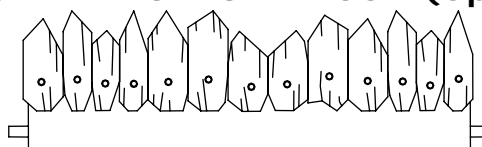
STEP 6

Gluing the roof is optional. Left unglued, it can be removed when necessary during game play.



COMPLETED MODEL

ADDING A GARRISON (Optional)



To make a primitive looking guard tower use scissors to cut wooden ice-cream sticks into spikes approximately 2-2.5cm long and glue to top edge with PVA. For pictures on completing this step visit www.miniaturescenery.com and view the Sand Series painting steps 10 – 14.

PAINTING

At www.miniaturescenery.com we provide a detailed and easy to follow illustrated guide for painting the Guard Tower. We also share simple, effective painting techniques that you can use to get your model looking its best.