

### Preparation - What you need

- Some table space
- Small pair of **Cutters**
- **PVA glue** (wood glue, hobby glue etc)
- A **file** or small piece of **sandpaper** (used to remove any tab stubs that may remain after being clipped by the cutters).

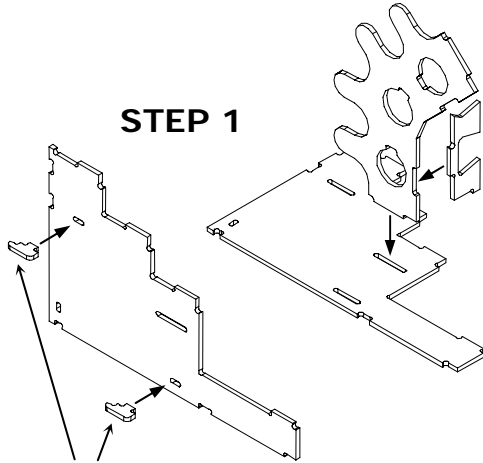
### Gluing

Apply a small amount of glue wherever there is a connection.

Watch out for any grit or clumps in the glue that may cause unevenness.

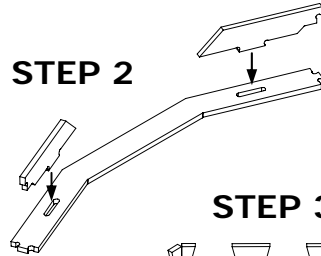
### Construction

- Use cutters to separate the parts from the panel.
- Go over each part again with the cutters to completely remove the tabs (you should only need the file or sandpaper for minor cleaning touch-ups).
- Use a file or sand paper last to clean any remaining tab fragments.

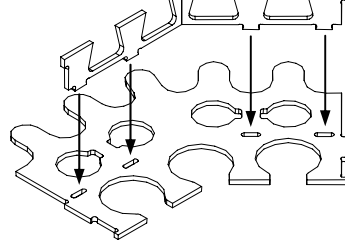


**STEP 1**

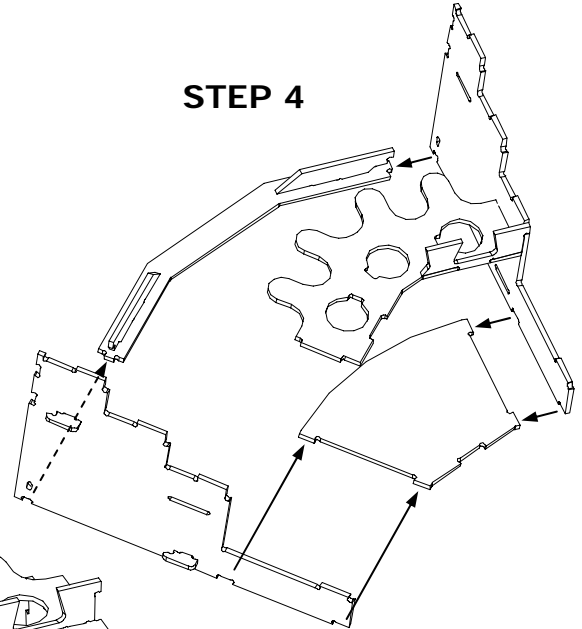
Be sure to apply a liberal amount of glue when securing both connectors.



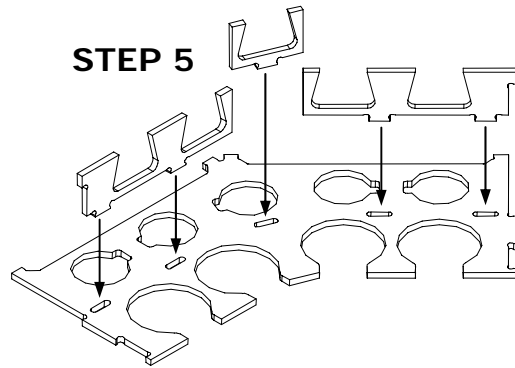
**STEP 2**



**STEP 3**

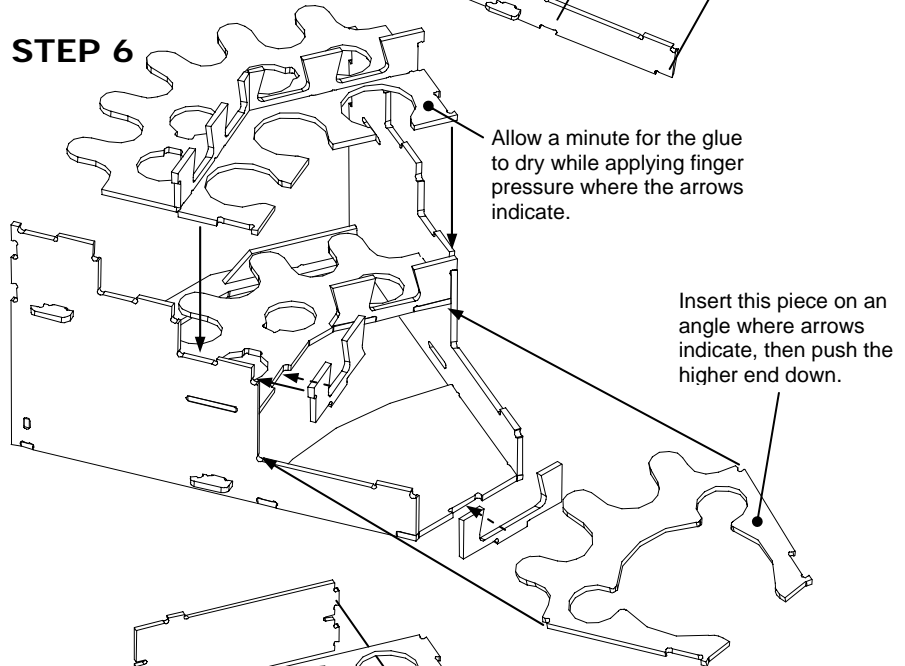


**STEP 4**

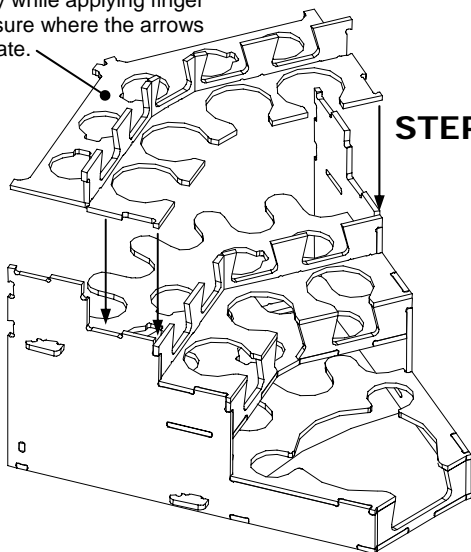


**STEP 5**

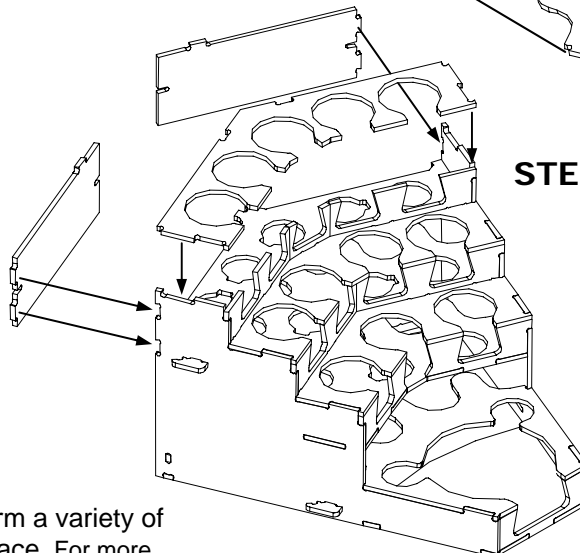
Allow a minute for the glue to dry while applying finger pressure where the arrows indicate.



**STEP 6**



**STEP 7**



**STEP 8**

### Rack expansions

The four rack types can be interconnected to form a variety of workstation layouts customized for your workspace. For more information on this series visit [www.miniaturescenery.com](http://www.miniaturescenery.com).