

INSTRUCTIONS

Dice Tower

Preparation - What you need

- Some table space
- Small pair of **Cutters**
- **PVA glue** (wood glue, hobby glue etc)
- A **file** or small piece of **sandpaper** (used to remove any tab stubs that *may* remain after being clipped by the cutters).

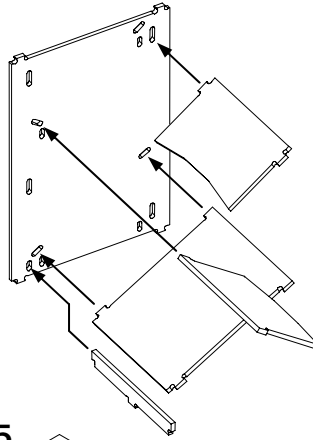
Preparing the parts

- i. Use the cutters to separate the parts from the panel.
- ii. Go over each part again with the cutters to completely remove the tabs (you should only need the file or sandpaper for minor cleaning touch-ups).
- iii. Use a file or sand paper last to clean any remaining tab fragments.

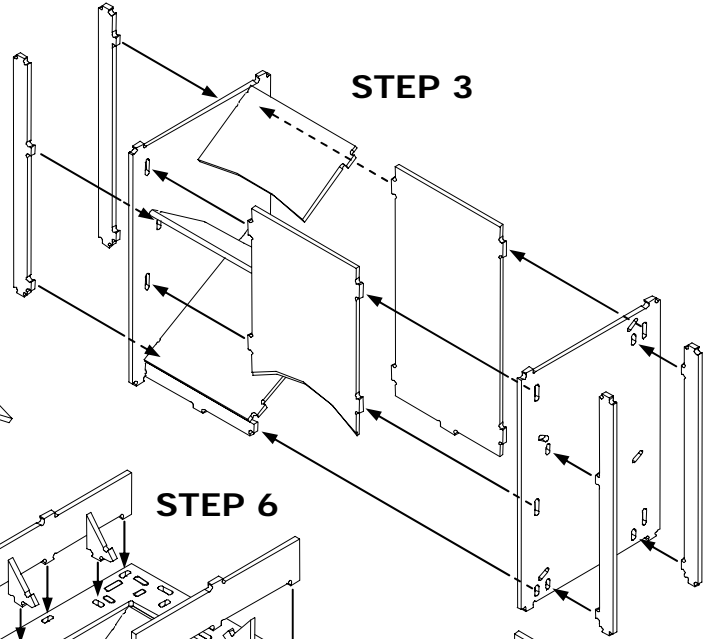
Construction

For each step apply a small amount of glue wherever there is a connection unless otherwise indicated.

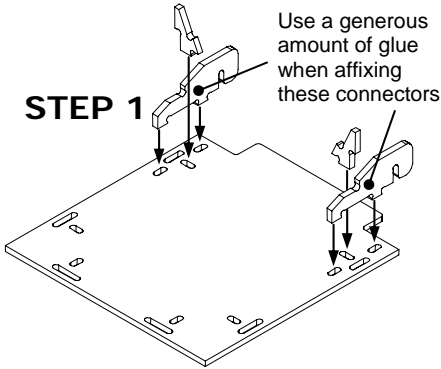
STEP 2



STEP 3

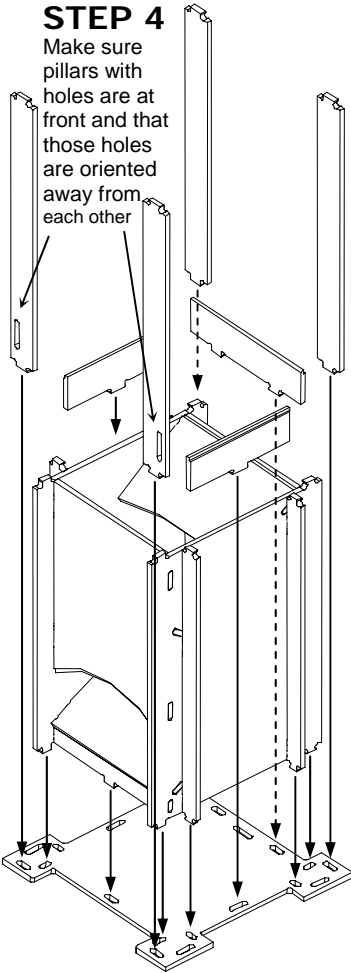


STEP 1

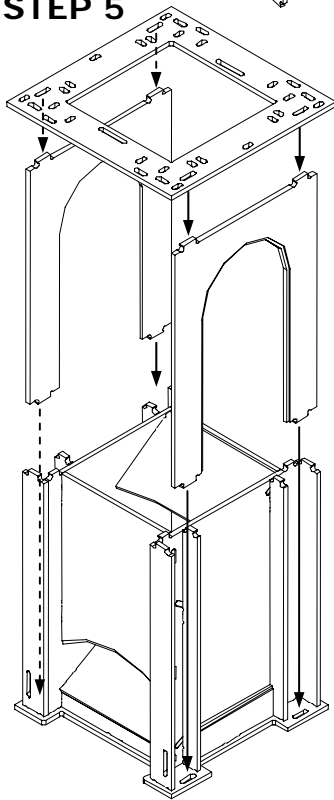


STEP 4

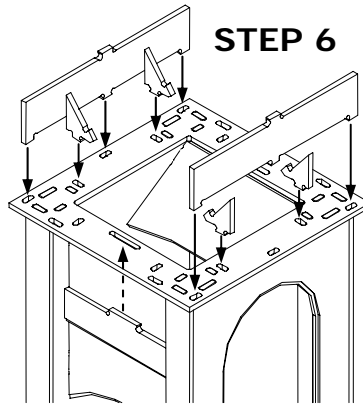
Make sure pillars with holes are at front and that those holes are oriented away from each other



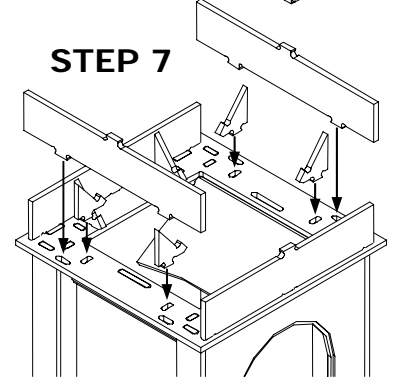
STEP 5



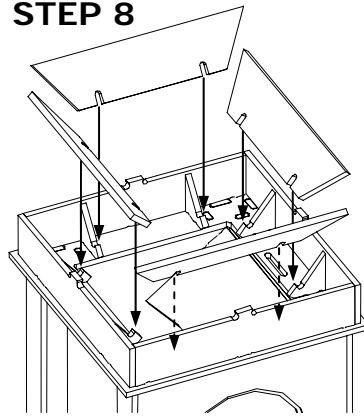
STEP 6



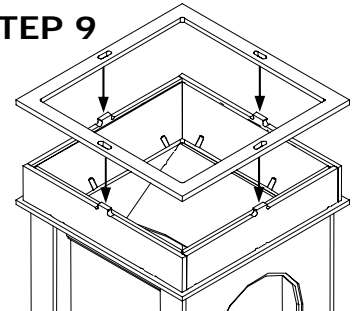
STEP 7



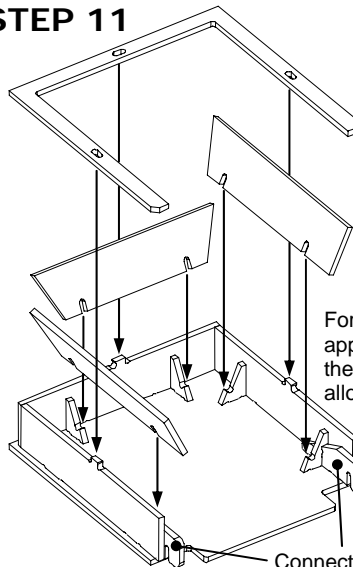
STEP 8



STEP 9



STEP 11



ATTACHING TRAY:

Insert connectors into pillar holes and apply a firm pressure over connectors to lock down.

For added strength apply more glue to the connectors and allow to dry.

Connectors

DETACHING TRAY:

Knock bottom of tray upwards as shown...

...then rotate tray until it detaches

