

Preparation - What you need

- Some table space
- Small pair of **Cutters**
- **PVA glue** (wood glue, hobby glue etc)
- A **file** or small piece of **sandpaper** (used to remove any tab stubs that *may* remain after being clipped by the cutters).

Gluing

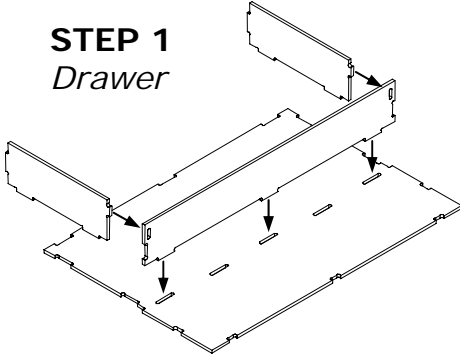
Apply a small amount of glue wherever there is a connection.

Watch out for any grit or clumps in the glue that may cause unevenness.

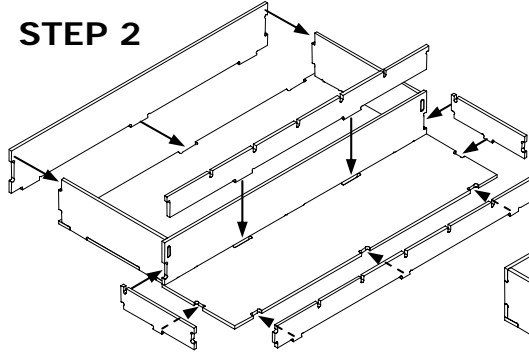
Construction

- Use cutters to separate the parts from the panel.
- Go over each part again with the cutters to completely remove the tabs (you should only need the file or sandpaper for minor cleaning touch-ups).
- Use a file or sand paper last to clean any remaining tab fragments.

STEP 1 Drawer

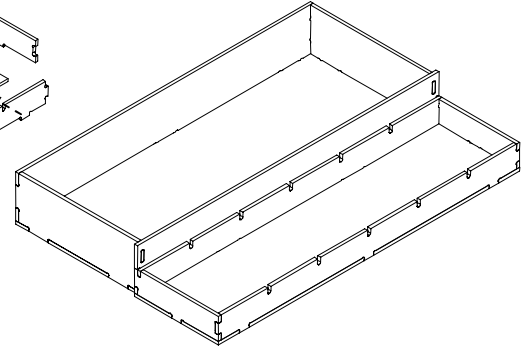


STEP 2

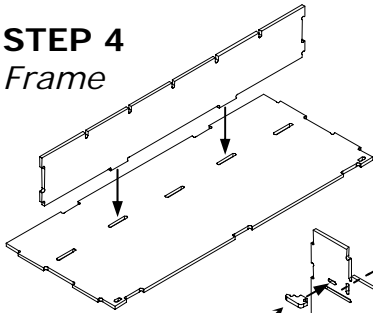


STEP 3

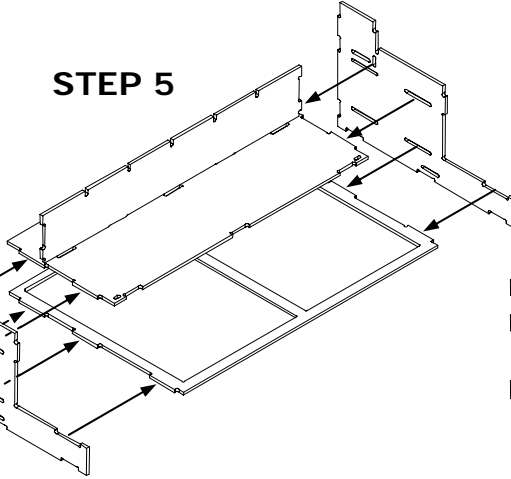
Allow 20 minutes for the drawer to dry before using it in Step 7



STEP 4 Frame

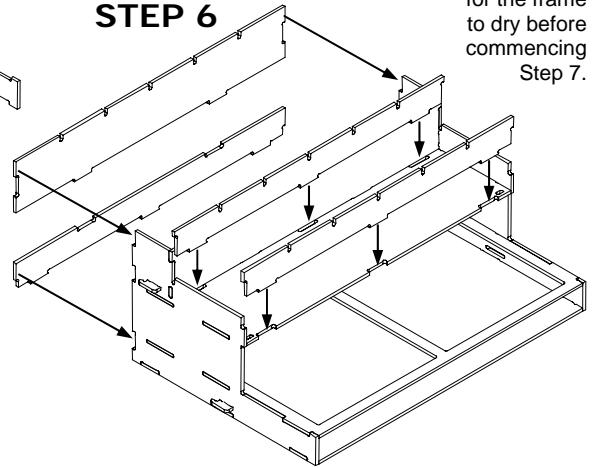


STEP 5



Be sure to apply a liberal amount of glue when securing both *connectors*.

STEP 6

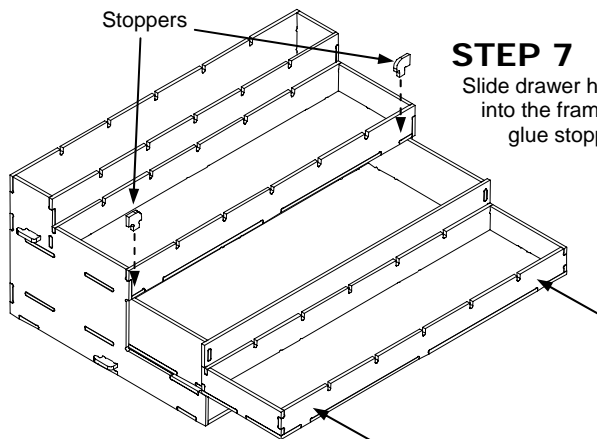


Allow 20 minutes for the frame to dry before commencing Step 7.

Stoppers

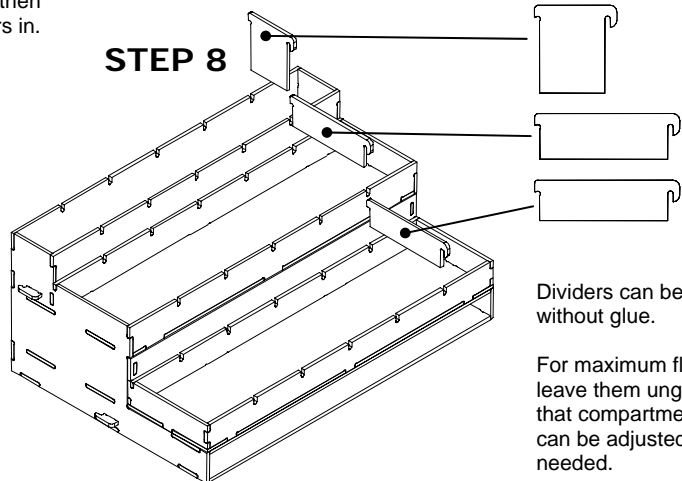
STEP 7

Slide drawer half way into the frame, then glue stoppers in.



To later separate drawer from frame, extend fully then lift up front and pull.

STEP 8



Dividers can be held without glue.

For maximum flexibility leave them unglued so that compartment sizes can be adjusted as needed.

Rack expansions

The four rack types can be interconnected to form a variety of workstation layouts customized for your workspace. For more information on this series visit www.miniaturescenery.com.