

# INSTRUCTIONS

## Portable Dice Tower

### Preparation - What you need

- Some table space
- Small pair of **Cutters**
- **Wood Glue (OPTIONAL)**
- A **file** or small piece of **sandpaper** (used to remove any tab stubs that *may* remain after being clipped by the cutters).

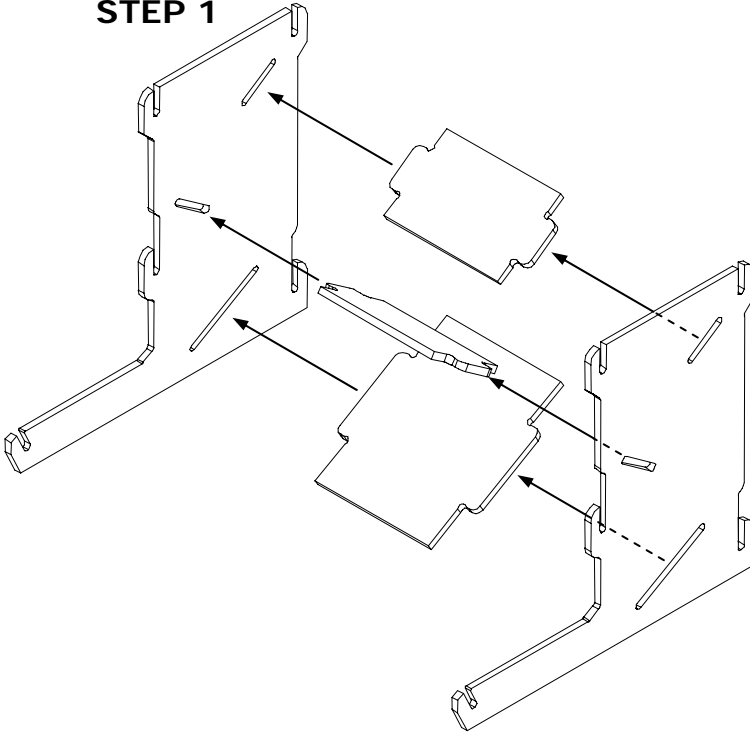
### Preparing the parts

- i. Use the cutters to separate the parts from the panel.
- ii. Go over each part again with the cutters to completely remove the tabs (you should only need the file or sandpaper for minor cleaning touch-ups).
- iii. Use a file or sand paper last to clean any remaining tab fragments.

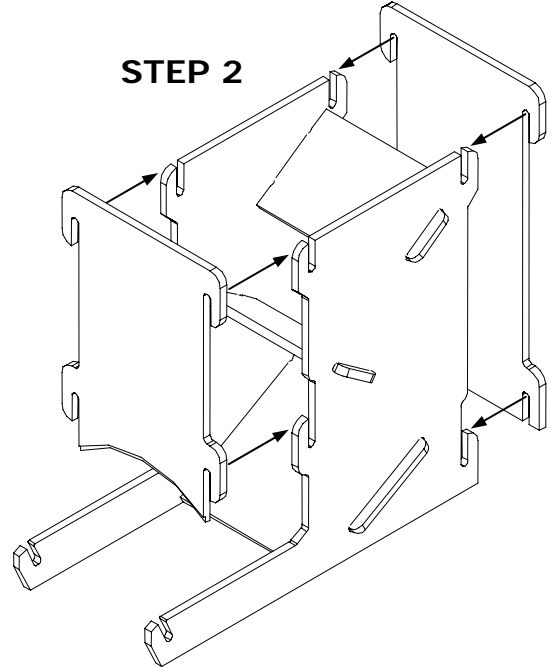
### Construction

Follow each step below to construct the Portable dice tower.  
 No glue is required. To disassemble, reverse order.

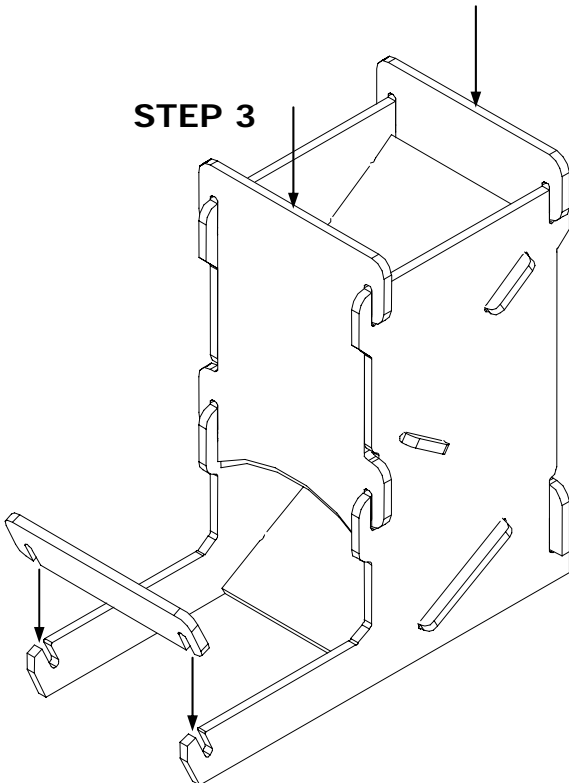
#### STEP 1



#### STEP 2



#### STEP 3



#### Completed

