

MINIATURE SCENERY

INSTRUCTIONS SPRUE RACK

PREPARATION

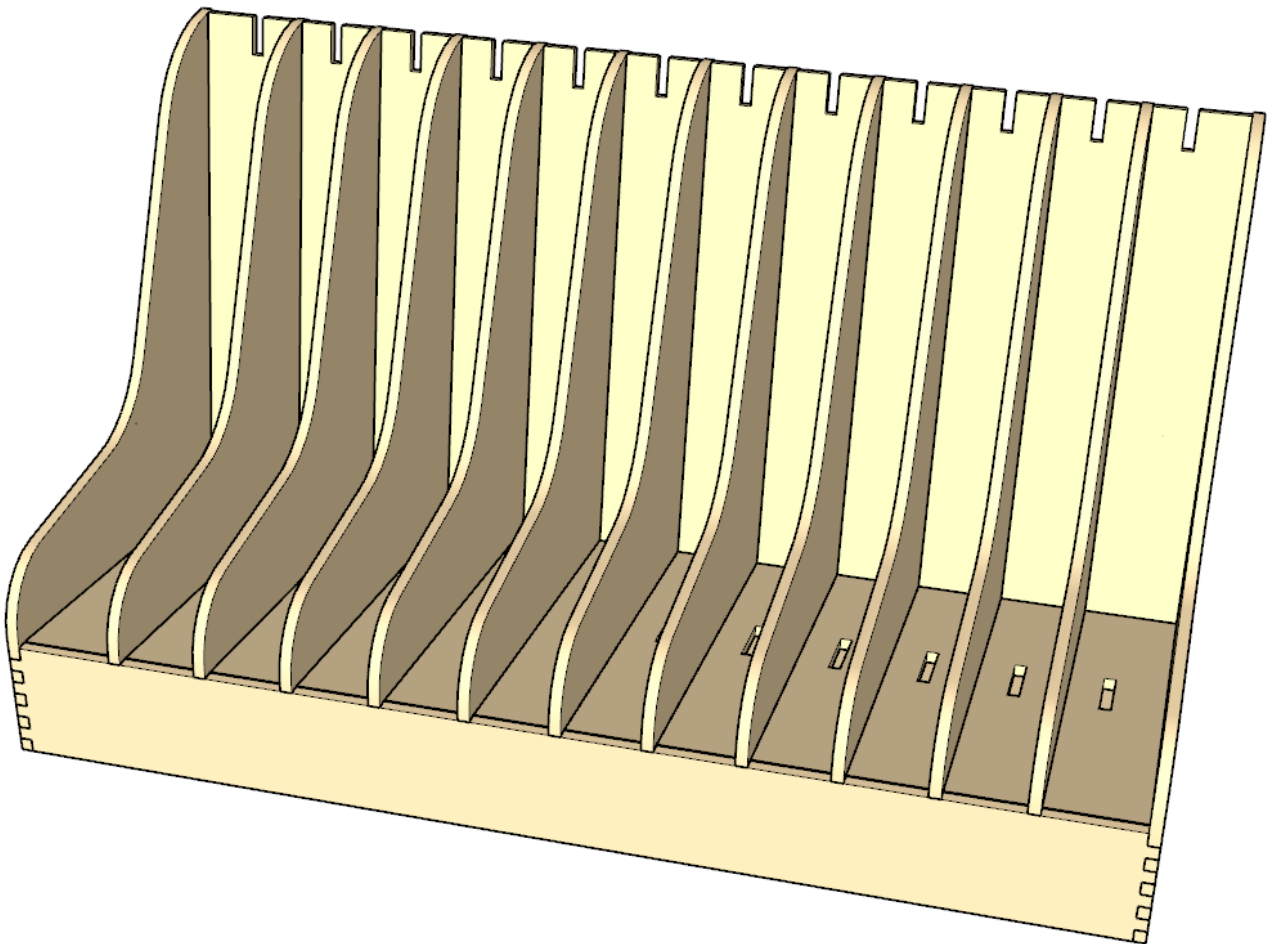
You will need:

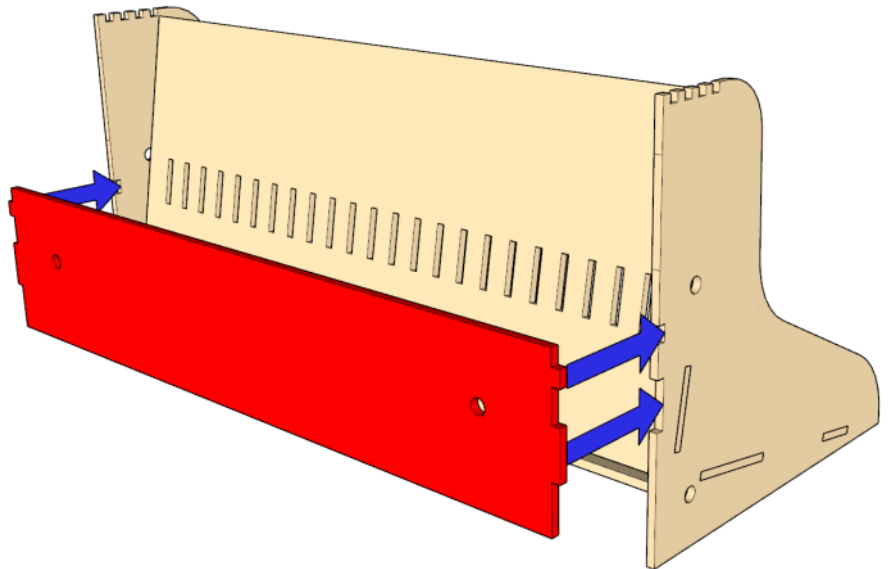
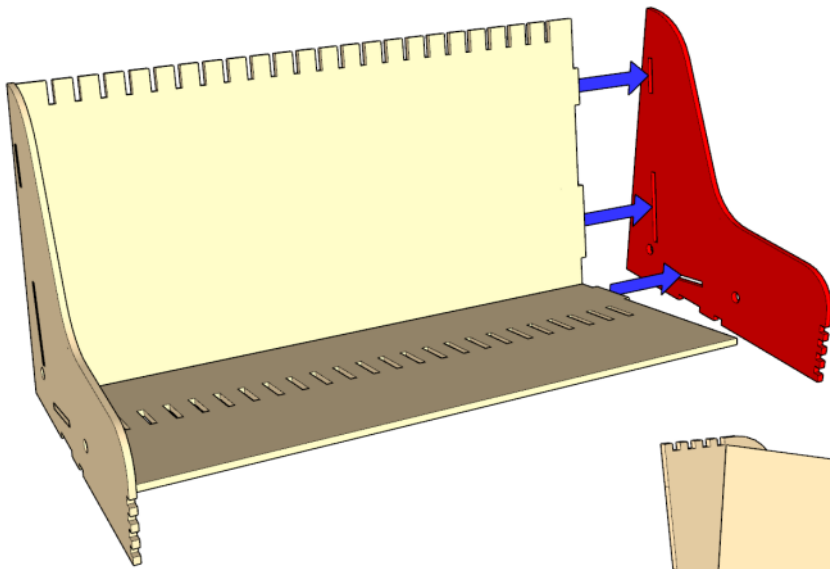
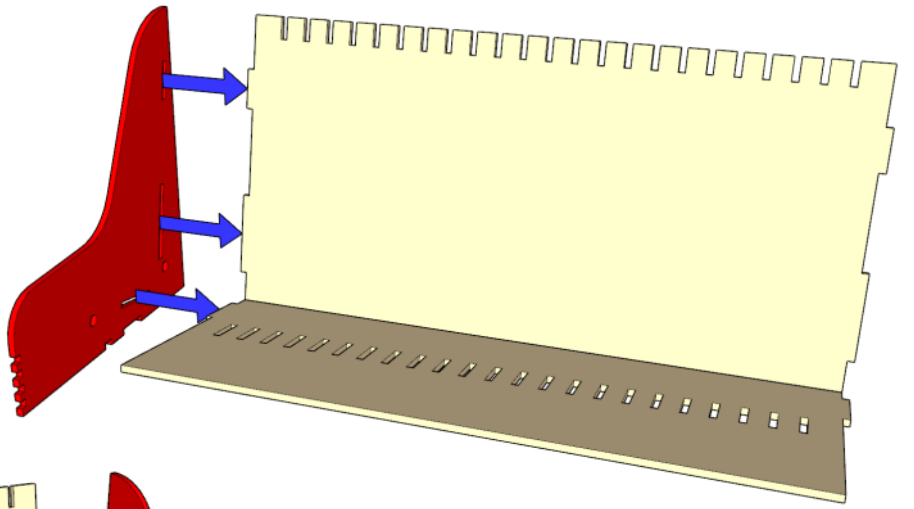
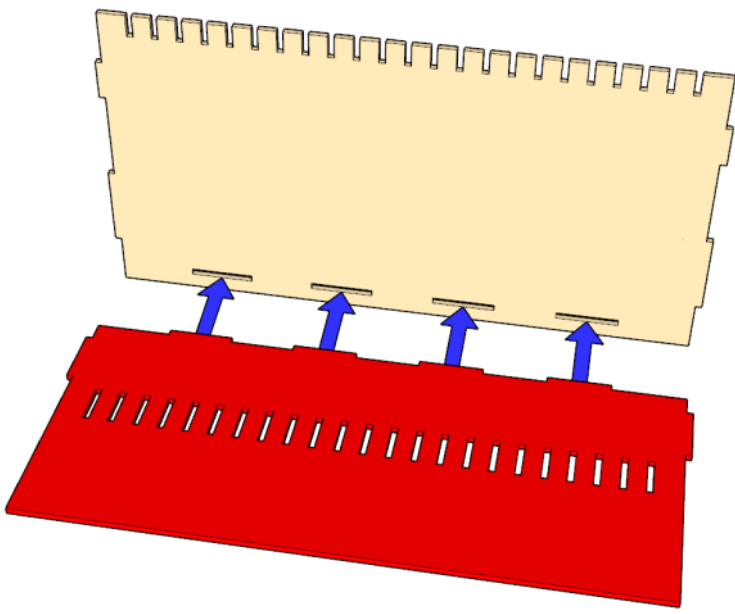
- Cutting mat or something to protect your table.
- PVA/Wood glue or superglue if you prefer.
- Small file or sand paper.
- Small blade / hobby knife

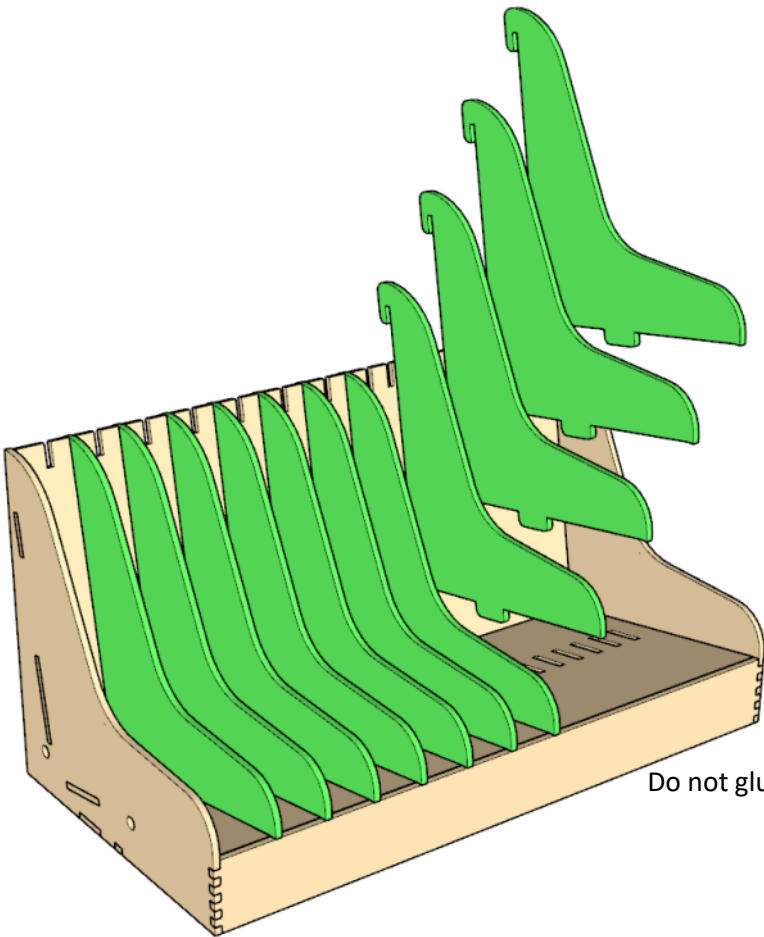
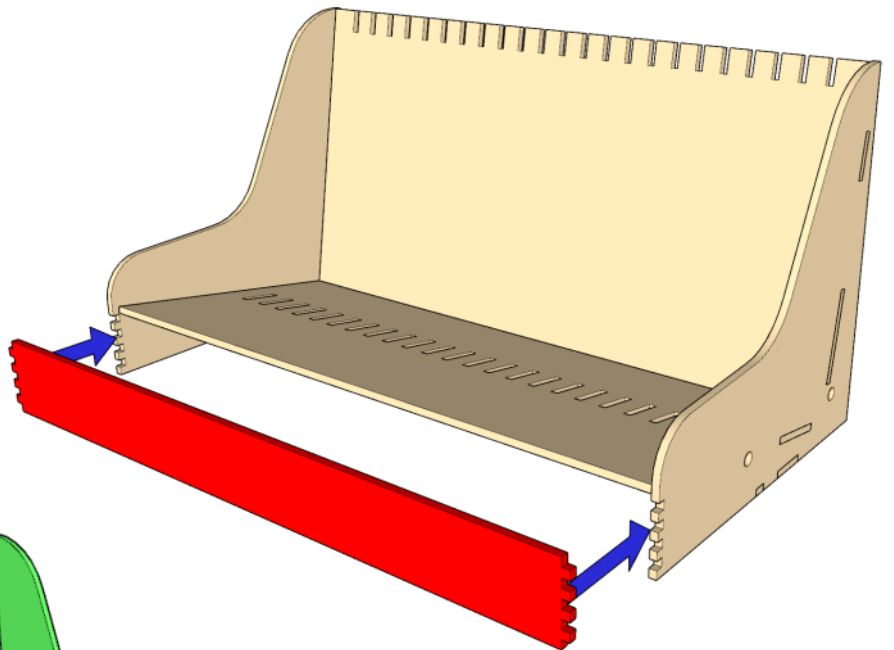
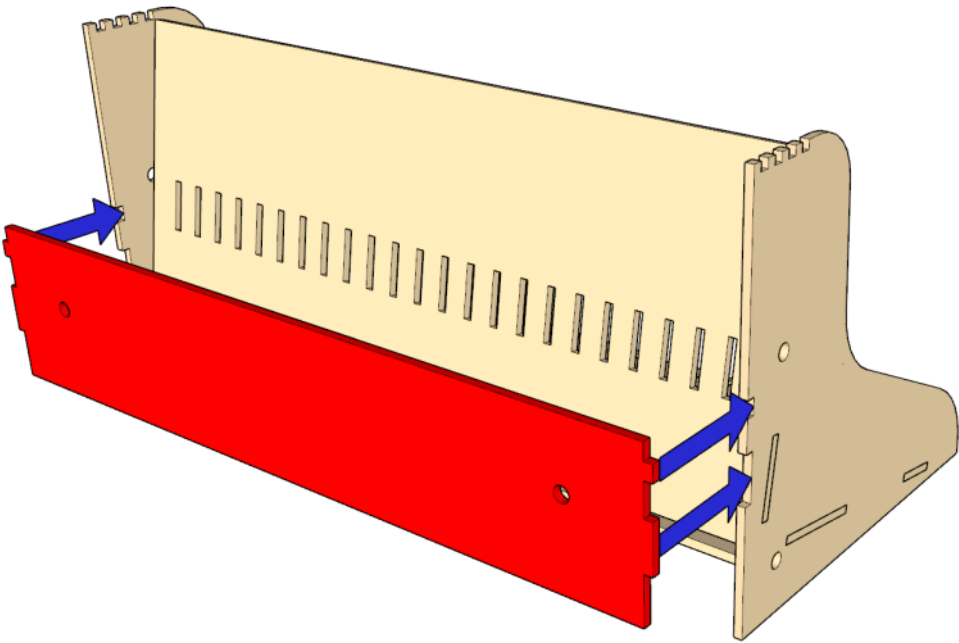


GENERAL PROCESS

- Clear plenty of table space, you will need it.
- Parts should remove easily from the board by pressing through and popping them out. It's a good idea to cut through the tiny joins first though, and some parts (particularly smaller, more detailed parts) may need more careful persuasion.
- Use file or sand paper to remove the small bur caused by the connection to the frame.
- It's a good idea to familiarise yourself with how the pieces fit together before gluing.
- Slot the parts together as shown by the pictures below, applying glue wherever there is a connection. (unless shown otherwise)
- Parts may be a very tight fit, slight trimming or sanding of parts may be needed for ease of assembly.







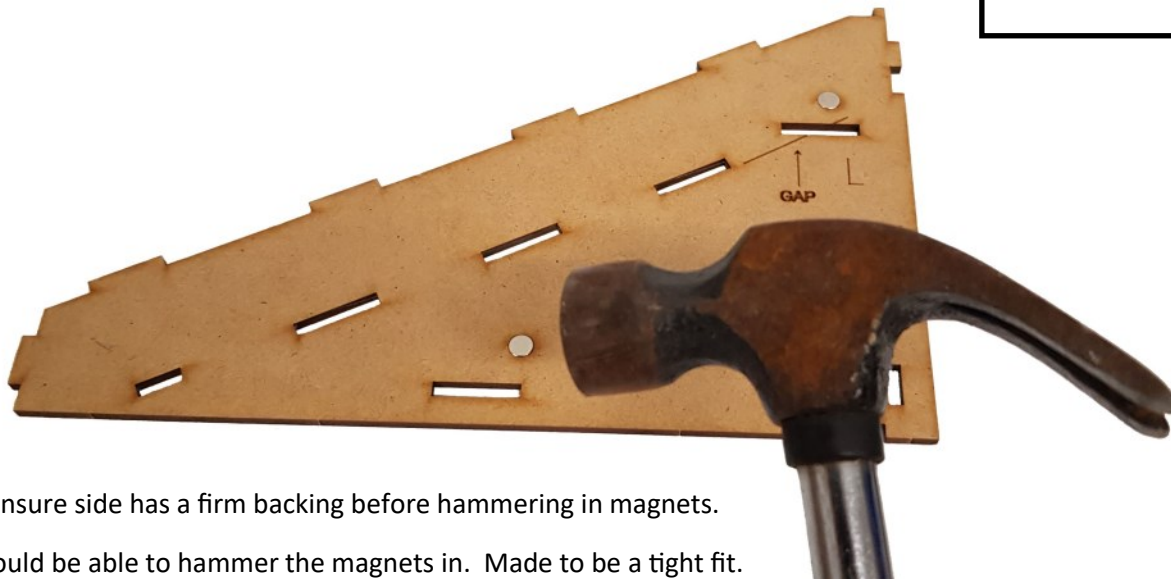
Do not glue these in.

Optional Rack Connectors with 6mm magnets

(Magnets are not included)

Connectors are not required, the racks will sit on your desk fine without being stuck to each other.

We recommend buying 6mm diameter magnets that are at least 3mm thick.



Ensure side has a firm backing before hammering in magnets.

Should be able to hammer the magnets in. Made to be a tight fit.