

Preparation - What you need

- Some table space
- Small pair of **cutters**
- **PVA glue** (wood glue, hobby glue)
- A **file** or small piece of **sandpaper** (used to remove any tab stubs that *may* remain after being clipped by the cutters).

Gluing

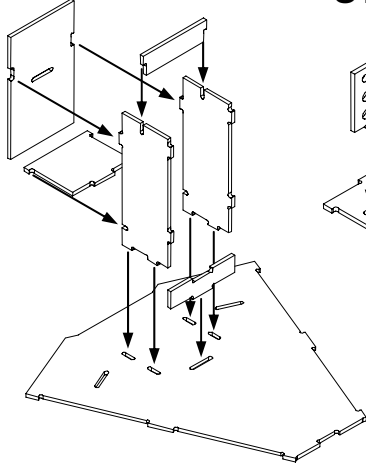
Apply a small amount of glue wherever there is a connection.

Watch out for any grit or clumps in the glue that may cause unevenness.

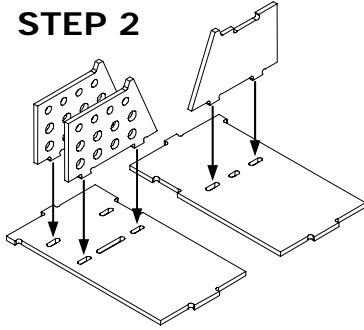
Construction

- Use cutters to separate the parts from the panel.
- Go over each part again with the cutters to completely remove the tabs (you should only need the file or sandpaper for minor cleaning touch-ups).
- Use a file or sand paper last to clean any remaining tab fragments.

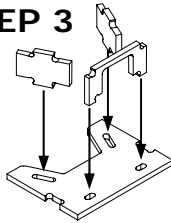
STEP 1



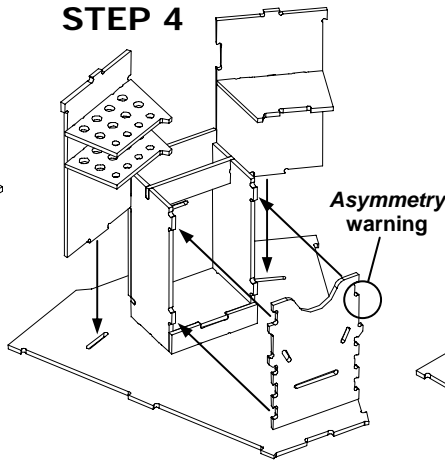
STEP 2



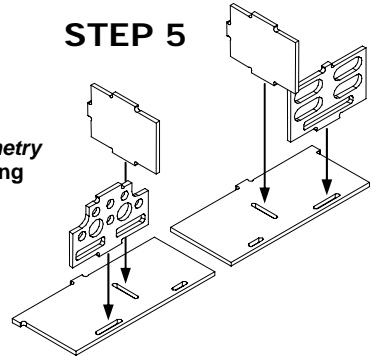
STEP 3



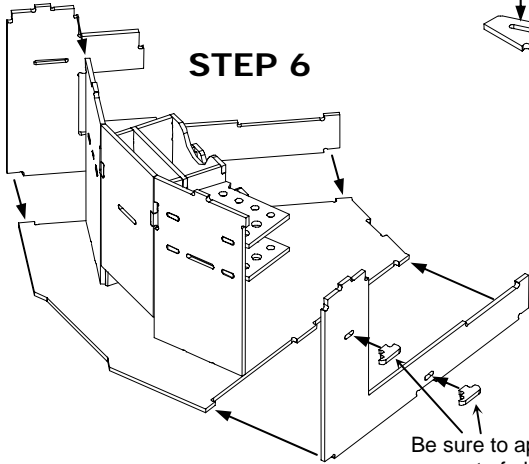
STEP 4



STEP 5

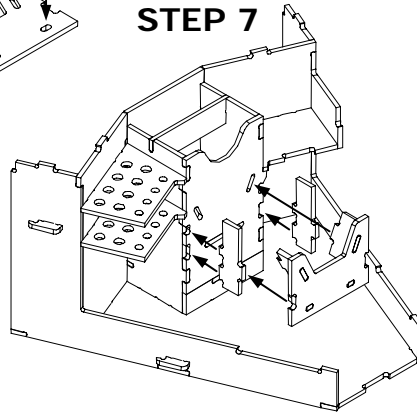


STEP 6

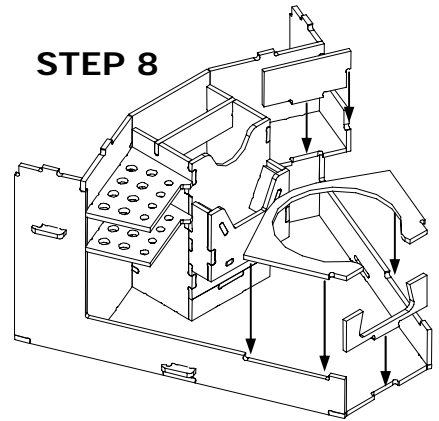


Be sure to apply a liberal amount of glue when securing both *connectors*.

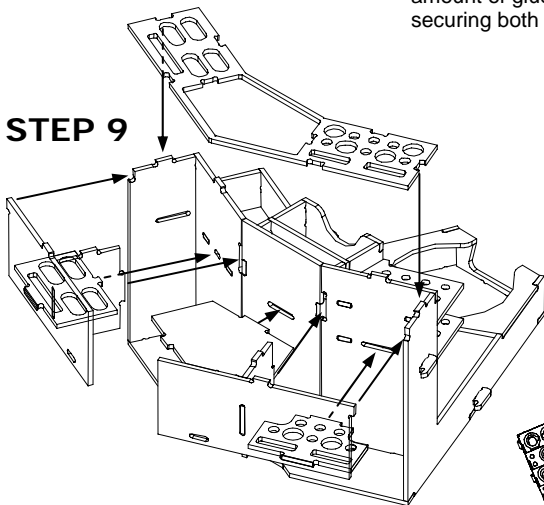
STEP 7



STEP 8

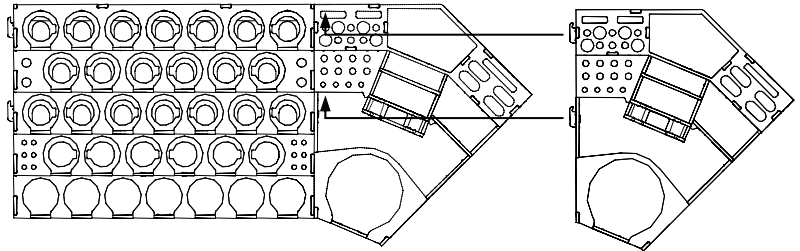


STEP 9



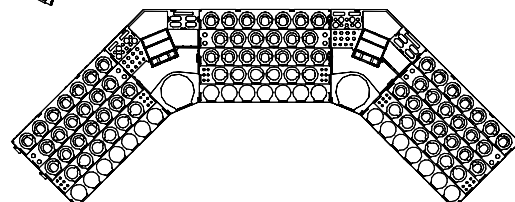
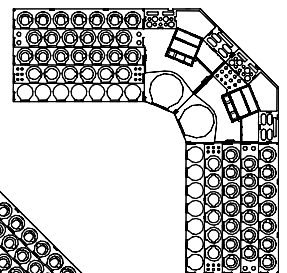
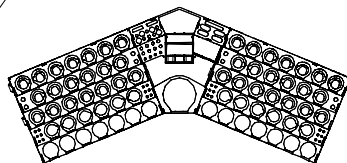
Connecting modules

To create a workstation, simply connect the Paint rack and Tool rack using the side connectors as shown below.



Workspaces

Example of some complete workspace arrangements.



For more ideas on how the Tool rack can be used visit www.miniaturescenery.com