

# TWISTED

A STEAMPUNK SKIRMISH GAME

## TERRAIN

# Fascinating Fences



Designed and manufactured  
in Australia by:

**MINIATURE  
SCENERY**

[www.miniaturescenery.com](http://www.miniaturescenery.com)

# Instructions

[www.dementedgames.com](http://www.dementedgames.com)





## INSTRUCTIONS

# FASCINATING FENCES

### Preparation

Once you clear some table space you will need a hobby knife and glue (PVA, wood glue, hobby glue) and a file or small piece of sandpaper to be used for cleaning up any tiny imperfections.

It's a good idea to familiarise yourself with how the pieces fit together before gluing.

### Getting Started

**I.** Parts should remove easily from the board by pressing through and popping them out. It's a good idea to cut through the tiny joins first though, and some parts (particularly smaller, more detailed parts) may need more careful persuasion.

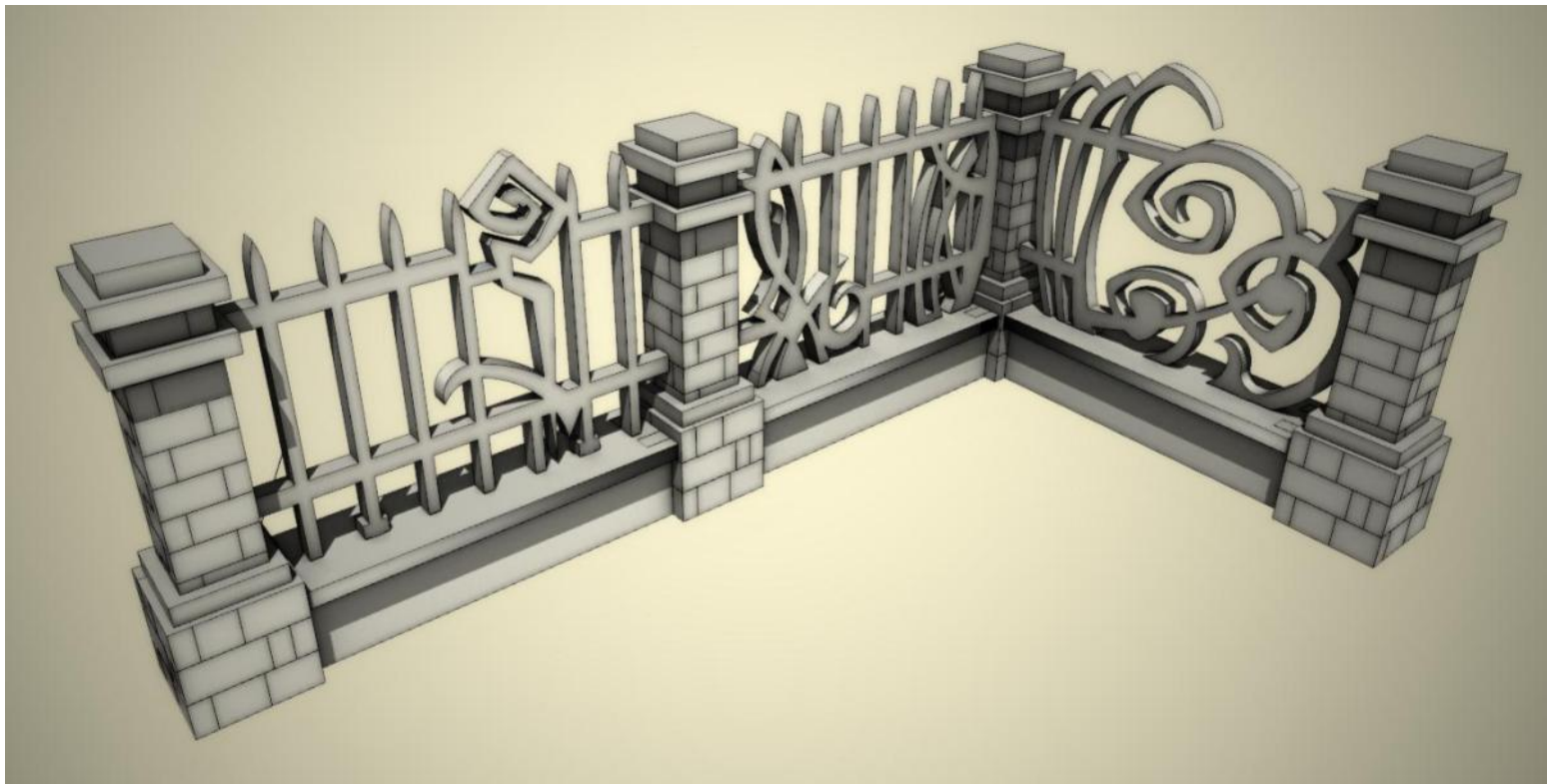
**II.** Use a file or sand paper last to completely remove the tabs that might remain.

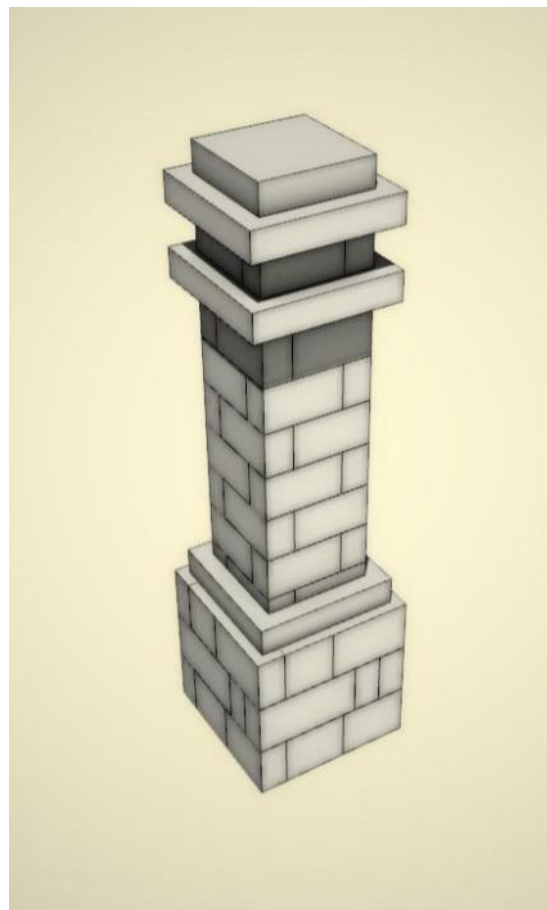
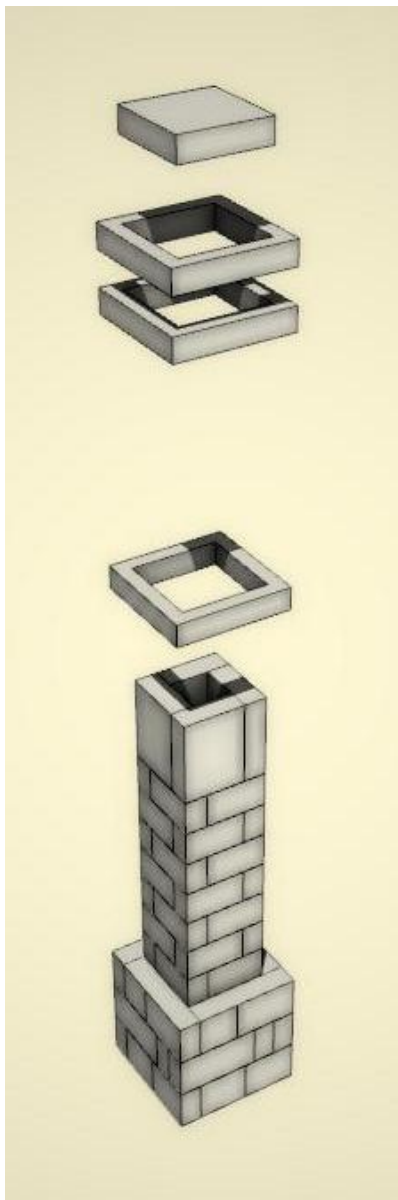
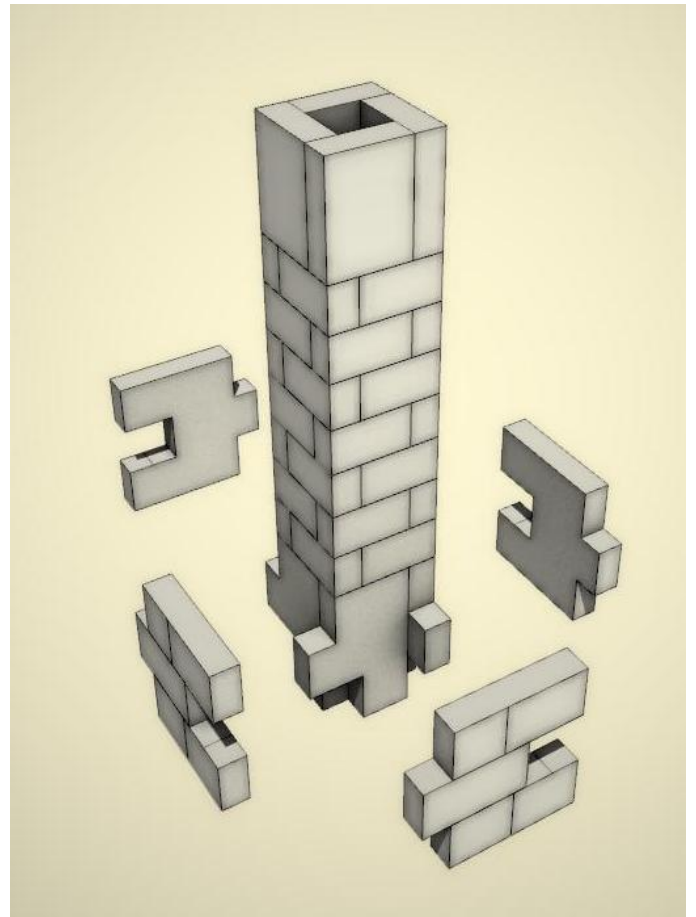
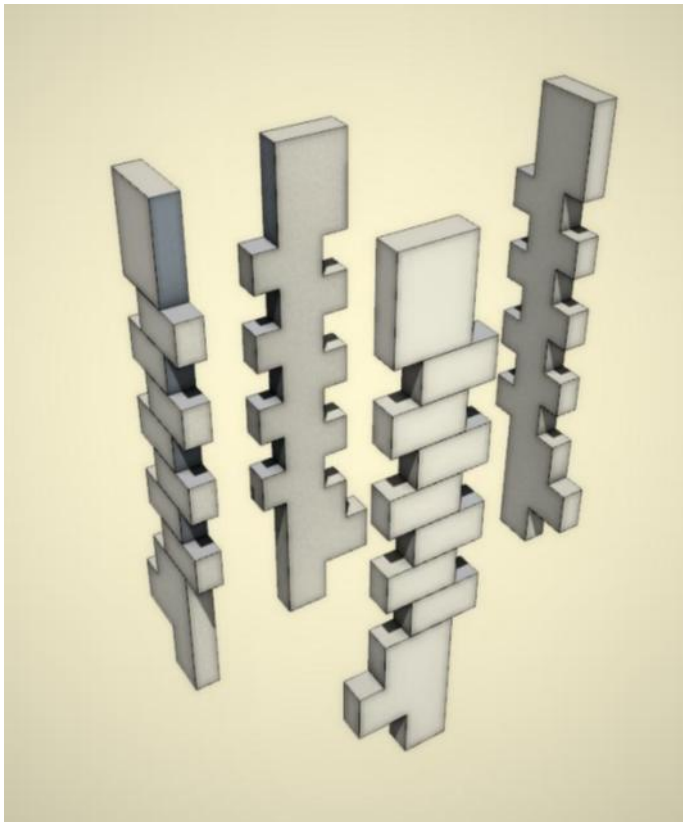
**III.** Parts may be a very tight fit, slight trimming or sanding of parts may be needed for ease of assembly.

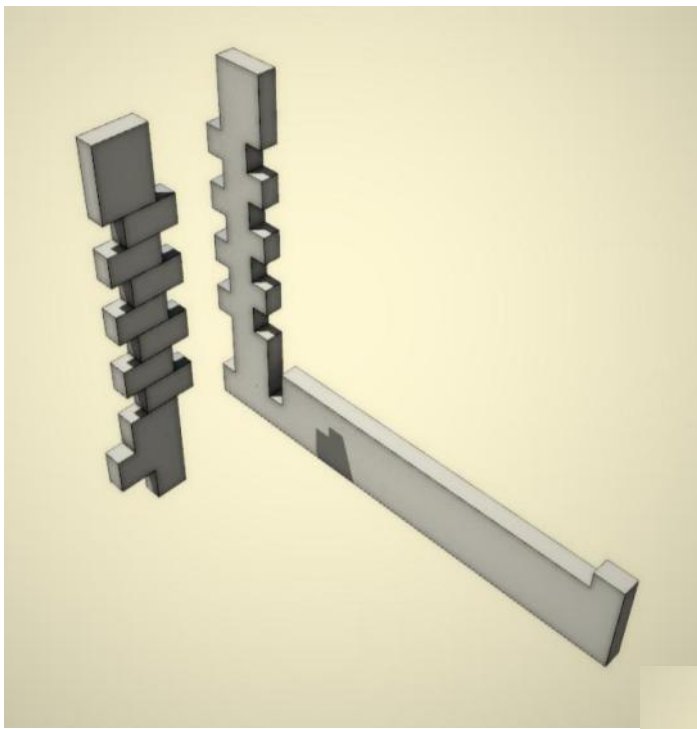
### Construction

Slot the parts together as shown by the pictures below, applying glue wherever there is a connection.

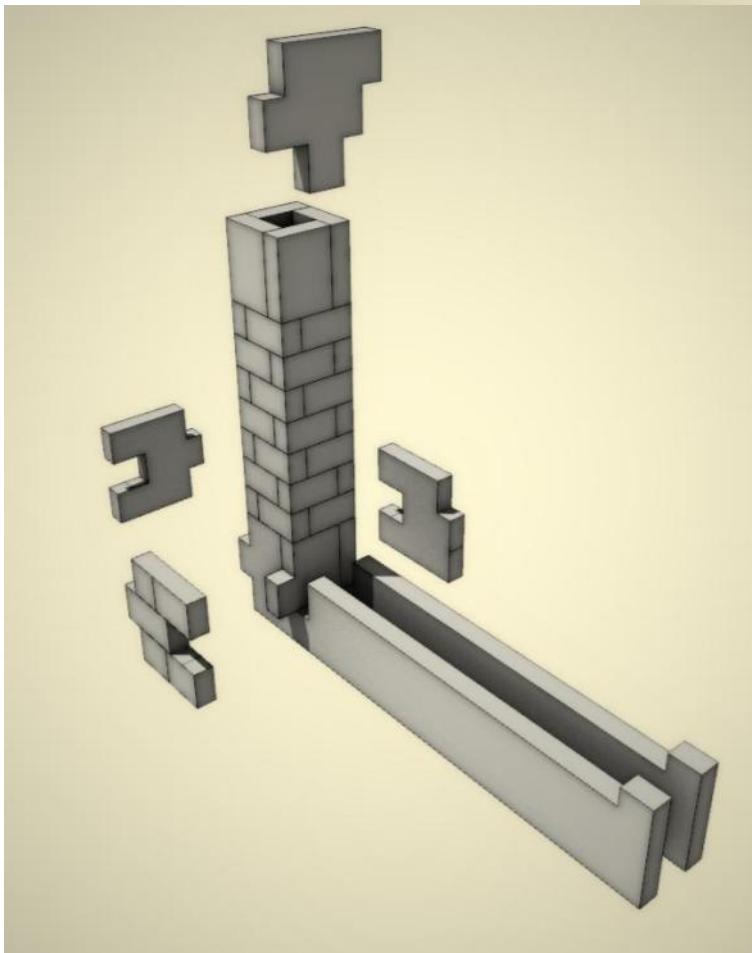
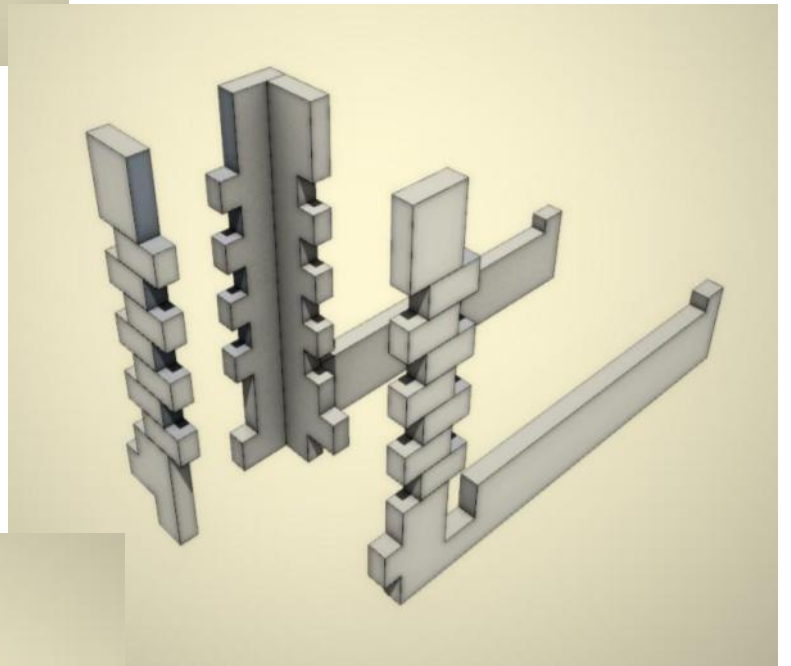
Allow the model to completely dry before painting it. This may be a complex kit with many small parts. Allowing each section to dry thoroughly before heading to the next is strongly recommended.



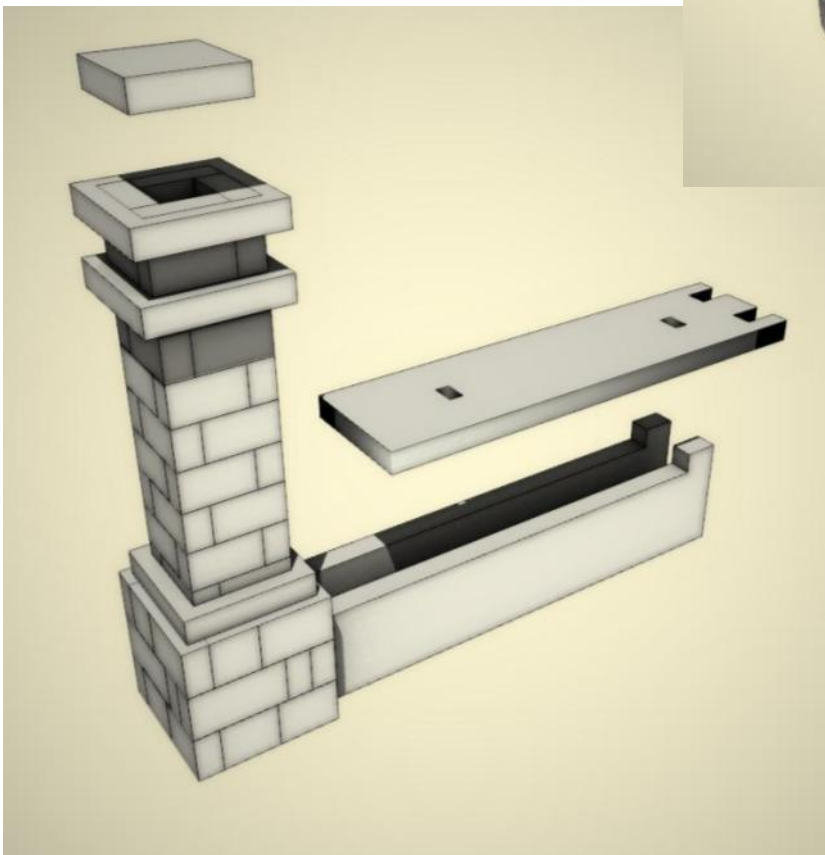
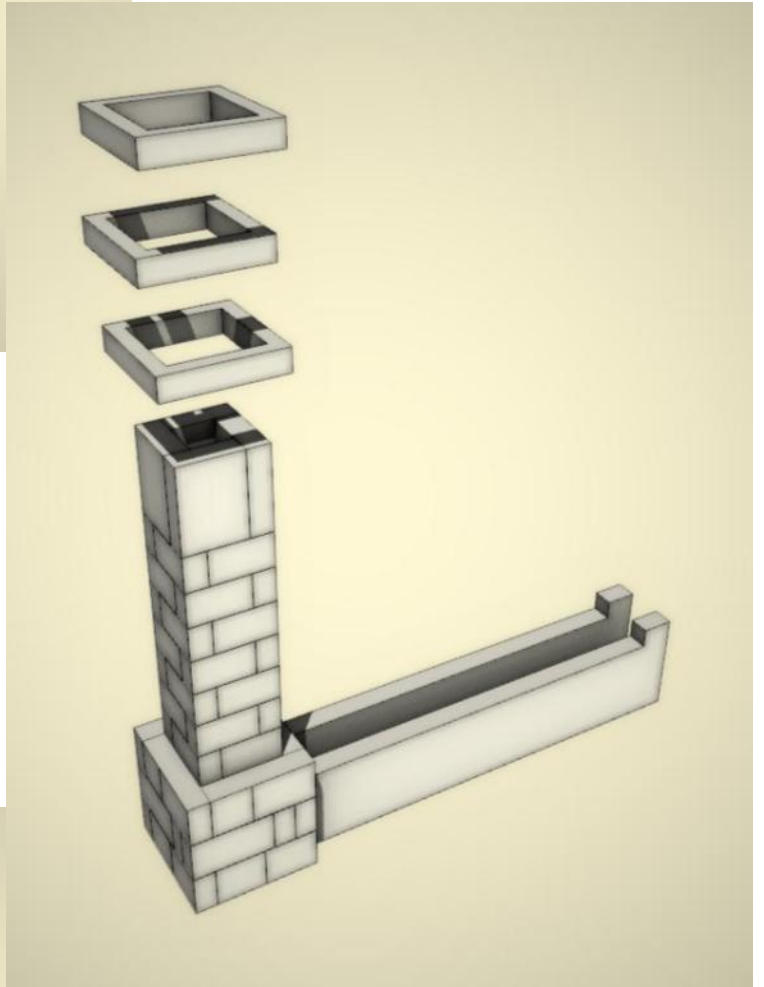
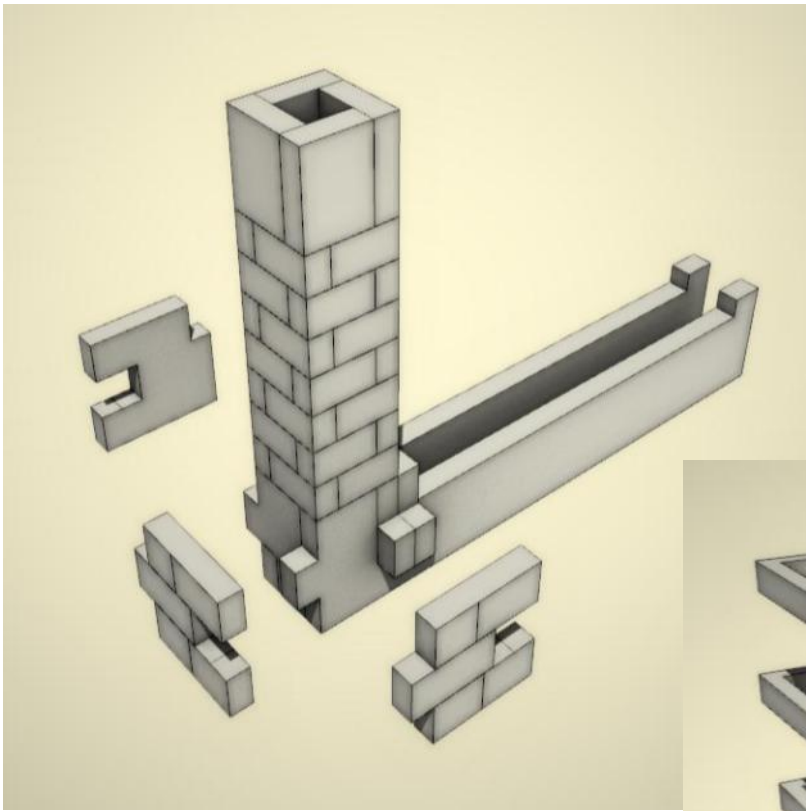


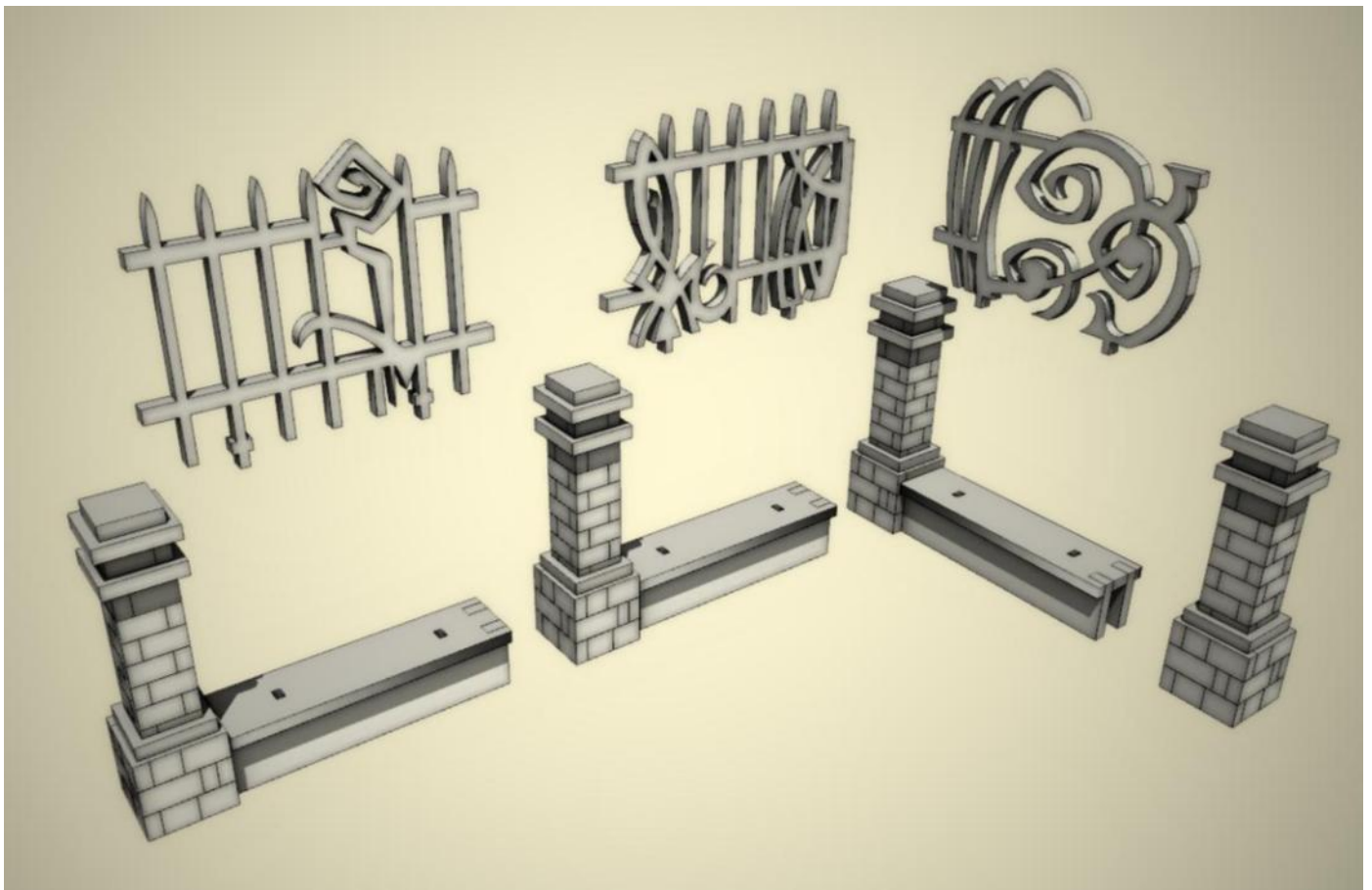


**CAREFULLY NOTE THE  
DIFFERENCES  
BETWEEN PARTS.**



**BUILD THIS PART  
THREE TIMES.**





**ASSEMBLE  
YOUR FINISHED  
FENCES AT ANY  
ANGLES YOU  
DESIRE.**