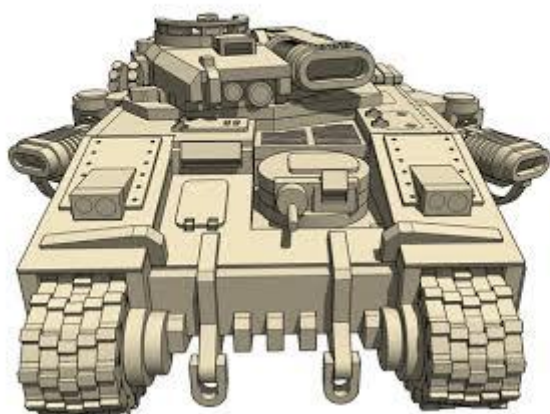
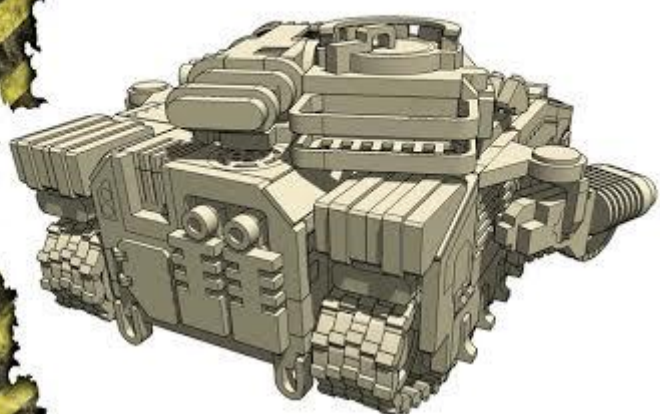


CNC WORKSHOP

MINIATURE SCENERY

CONQUERER III



INCLUDES OPTIONAL SPONSON WEAPONS AND FINE DETAIL LASERCUT CARD
CNC MINIATURE SCENERY IS DESIGNED FOR 28MM MINIATURES, IDEAL FOR
GAMERS AND COLLECTORS



FOR DETAILED, EASY TO FOLLOW INSTRUCTIONS VISIT
WWW.MINIATURESCENERY.COM

Contents may contain small parts. Not suitable for children under 8 years old. The exclusive copyright on the model designs and components within this case is the property of CNC Workshop Ltd., 2004. All rights reserved.

Preparation

Once you clear some table space you will need a pair of side cutters and glue (PVA, wood glue, hobby glue). A file or small piece of sandpaper can be used to clean along any edges that have bur.

It's a good idea to familiarise yourself with how the pieces fit together before gluing.

Getting Started

I. Remove all the parts out of the board with your cutters.

II. Go over each part again with the cutters removing as much of the tabs as possible (this greatly reduces the time needed with the file or sand paper).

III. Use a file or sand paper last to completely remove the tabs that might remain.

IV. Parts may be a very tight fit, slight trimming or sanding of parts may be needed for ease of assembly.

Construction

Slot the parts together as shown by the pictures below, applying glue wherever there is a connection.

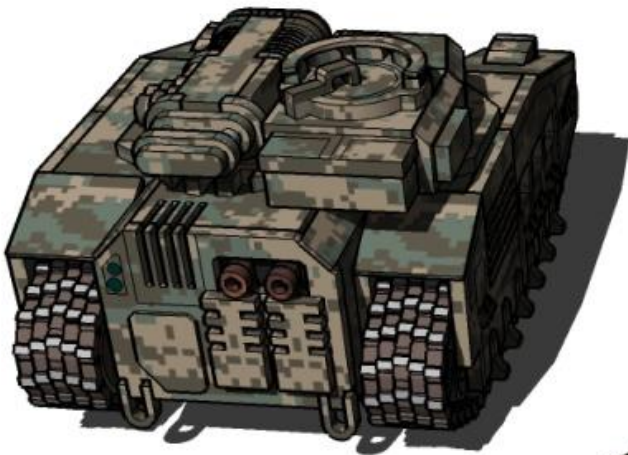
Allow the model to completely dry before painting it.

Its VERY IMPORTANT

That you read through and familiarise yourself with the instructions (particularly the tracks)

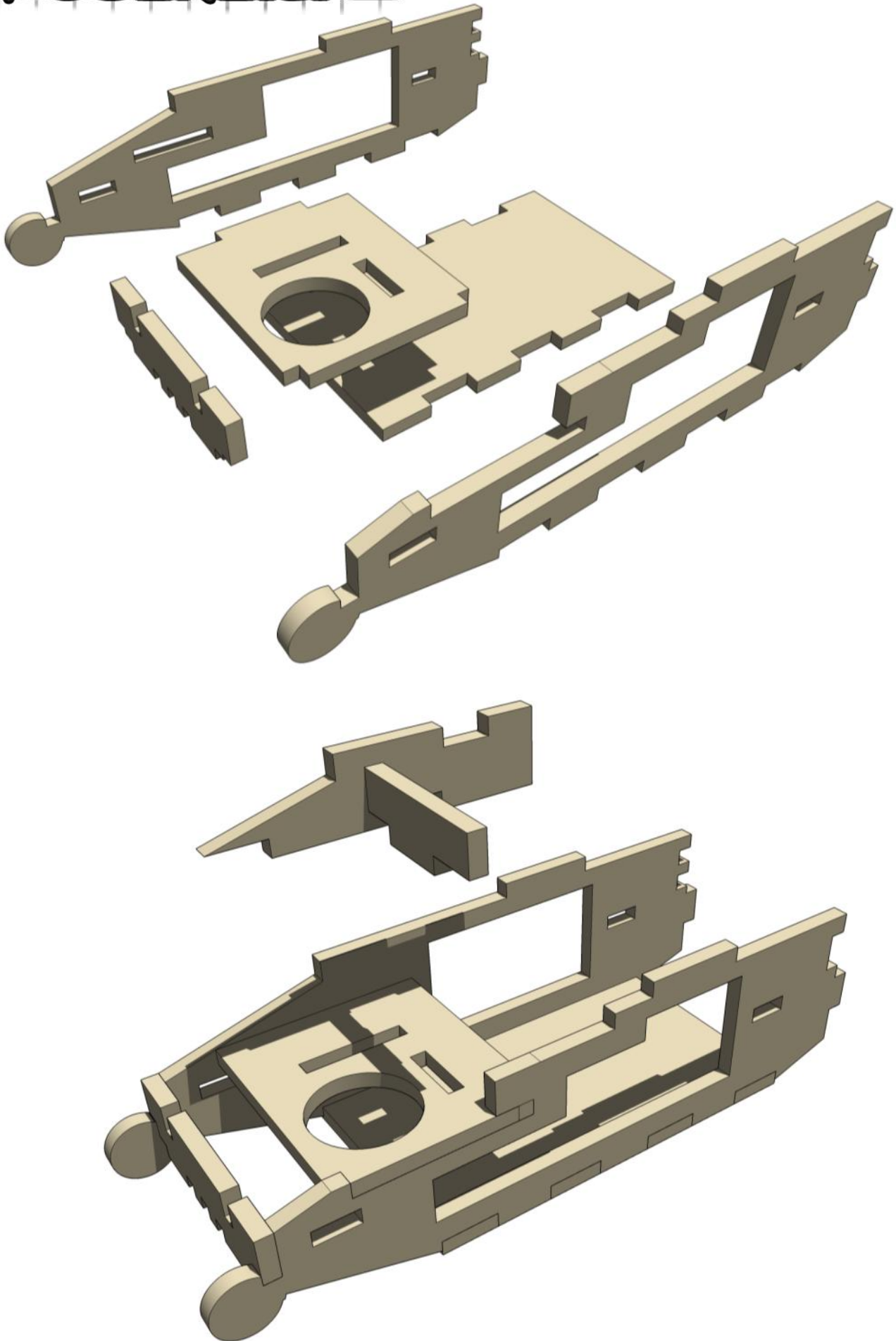
BEFORE REMOVING PARTS FROM THE

SHEETS!!!



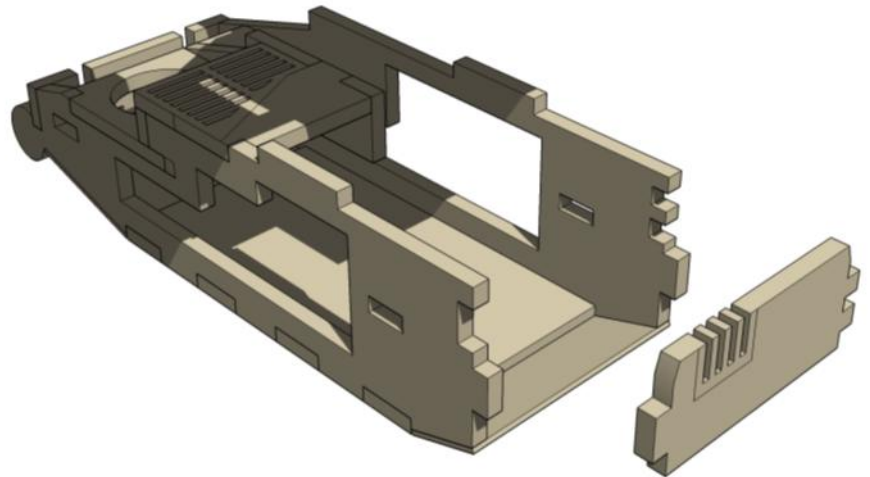
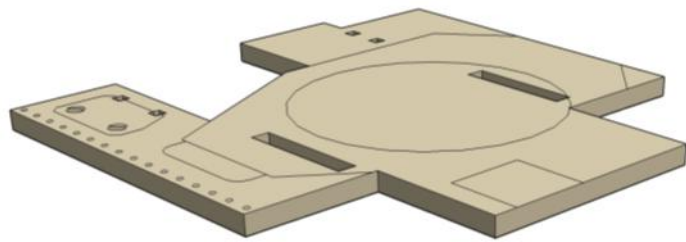
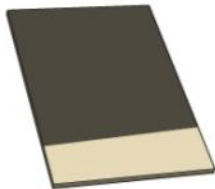
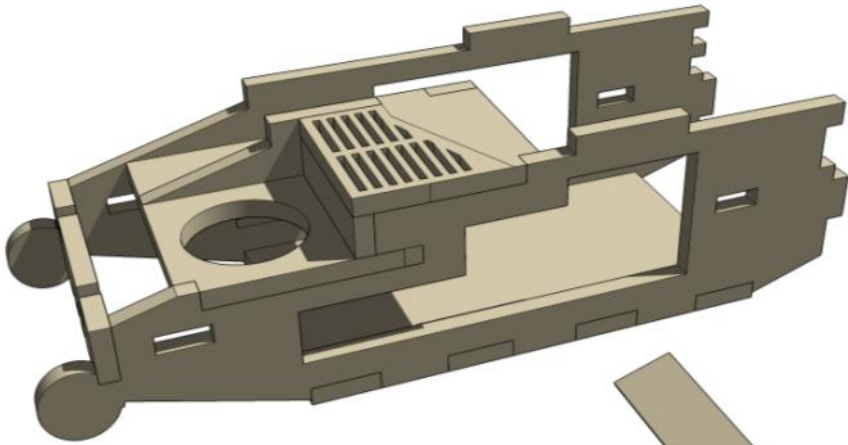
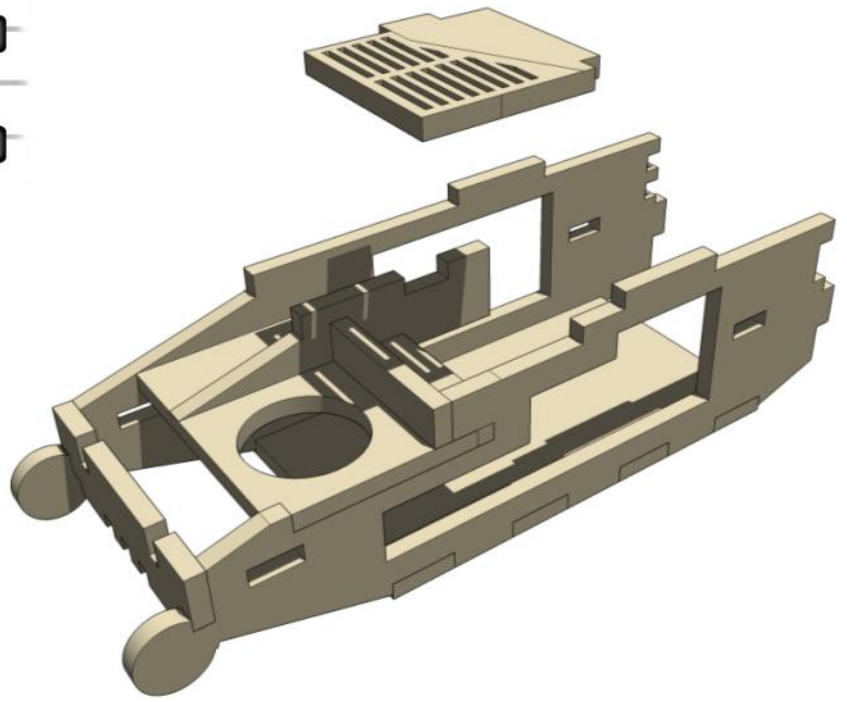
CNC WORKSHOP

MINIATURE SCENERY



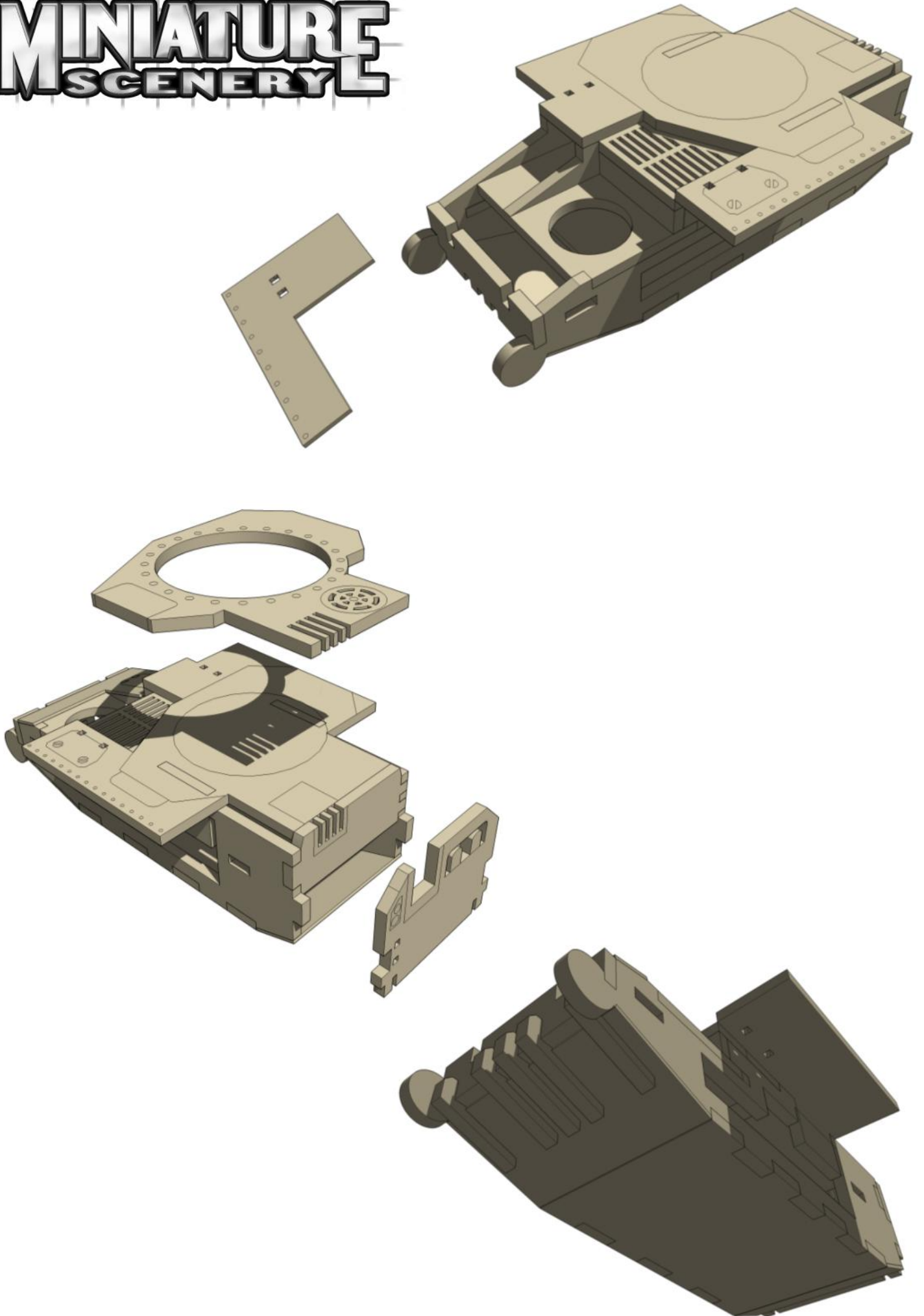
CNC WORKSHOP

MINIATURE SCENERY



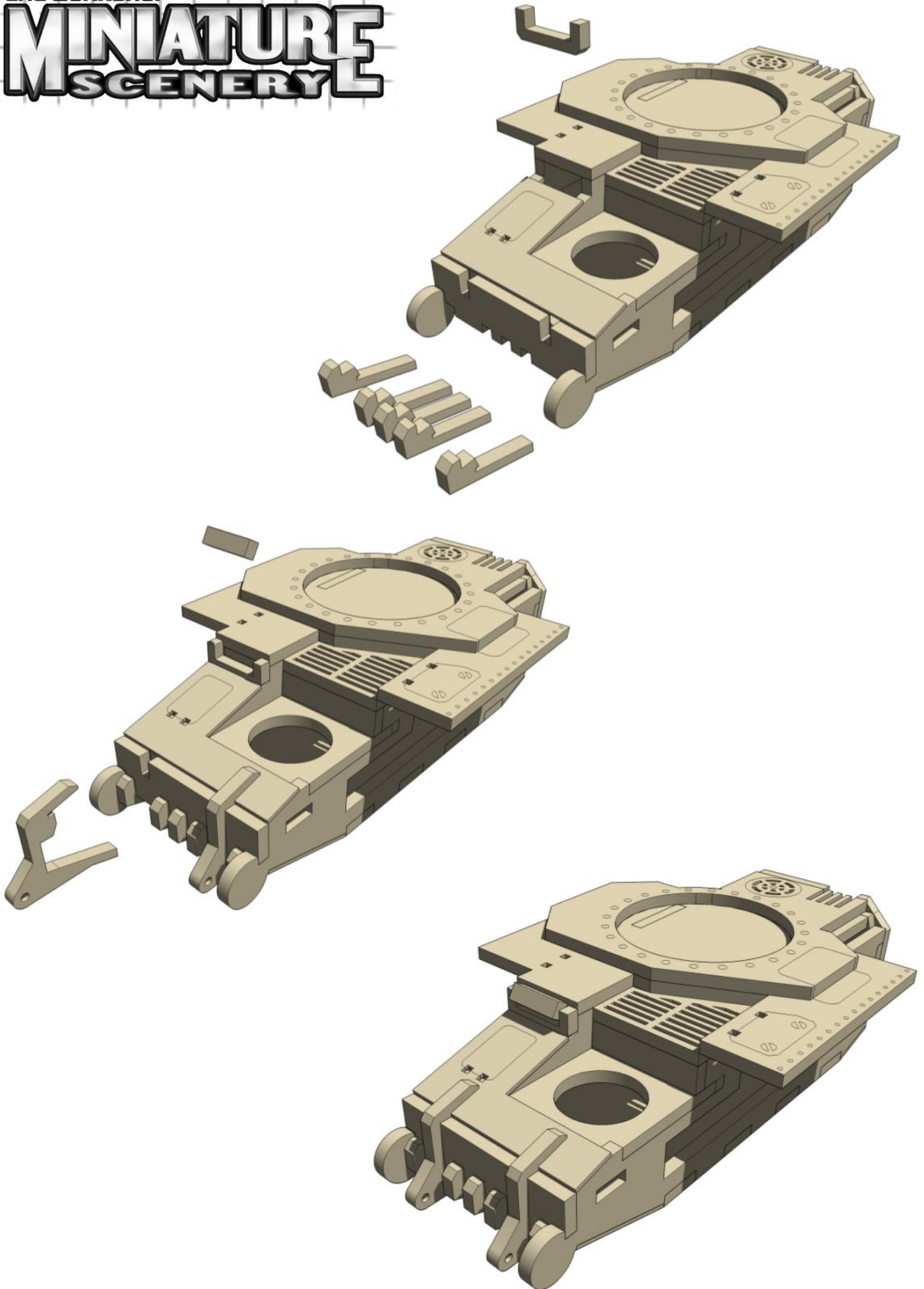
CNC WORKSHOP

MINIATURE SCENERY



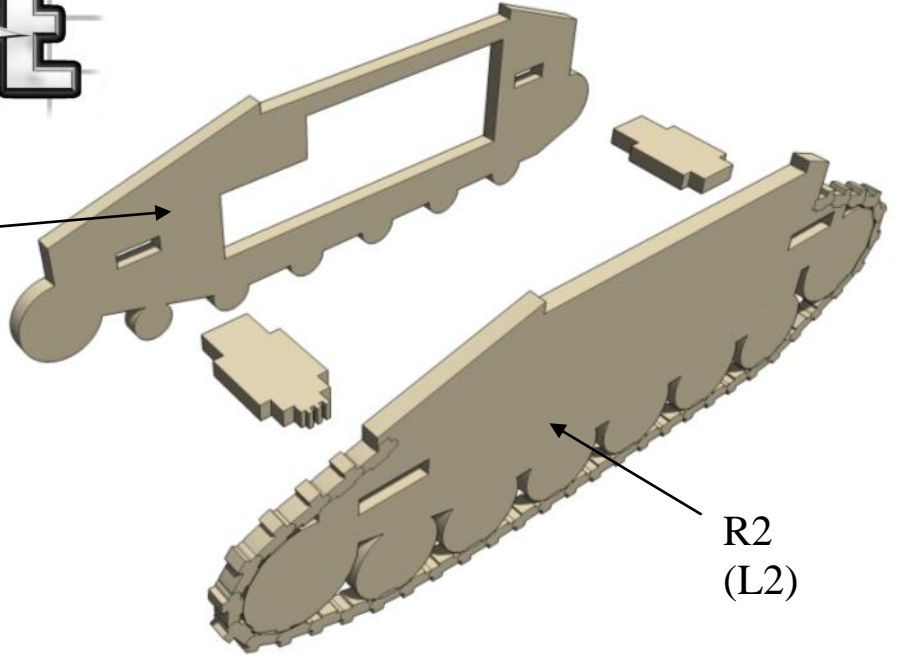
CNC WORKSHOP

MINIATURE SCENERY

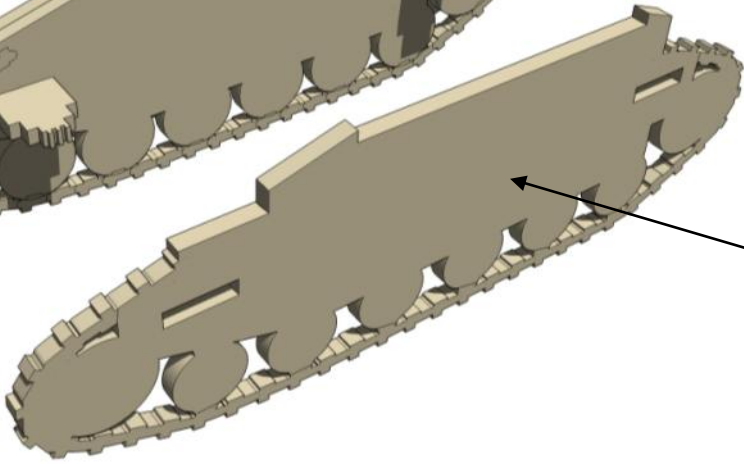
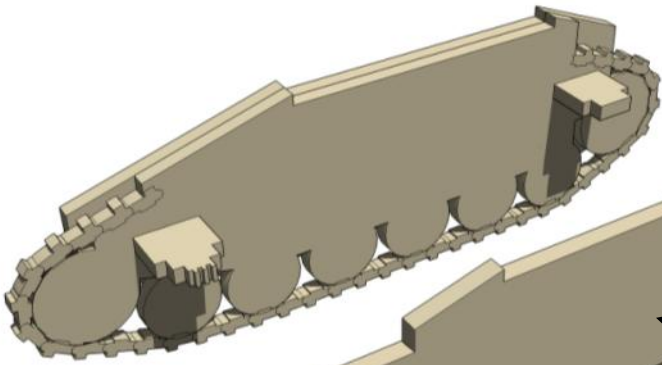


MINIATURE MISCEENRY

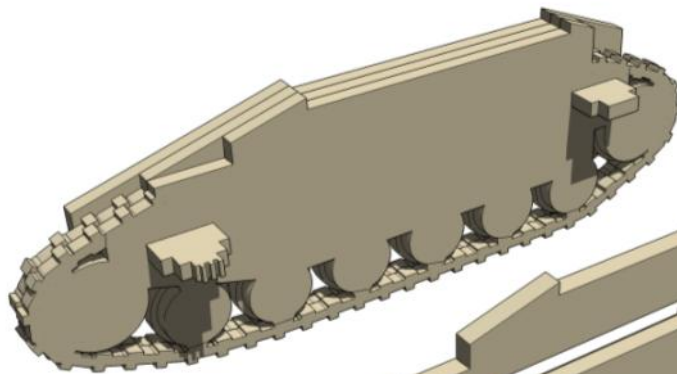
R1
(L1)



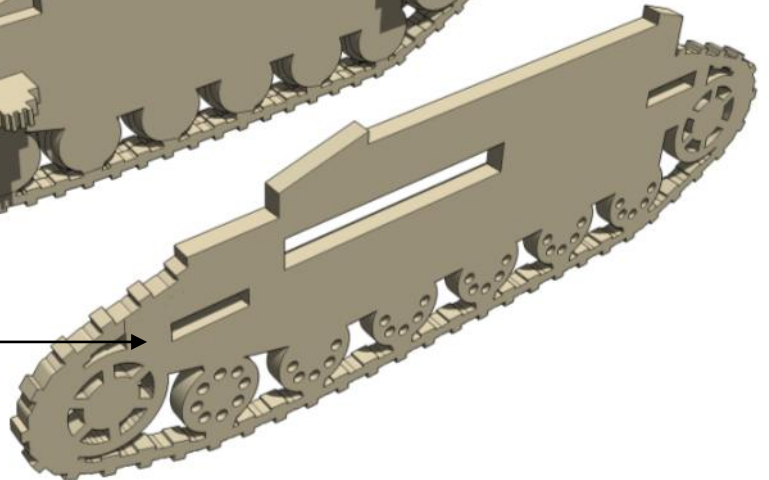
R2
(L2)



R3
(L3)

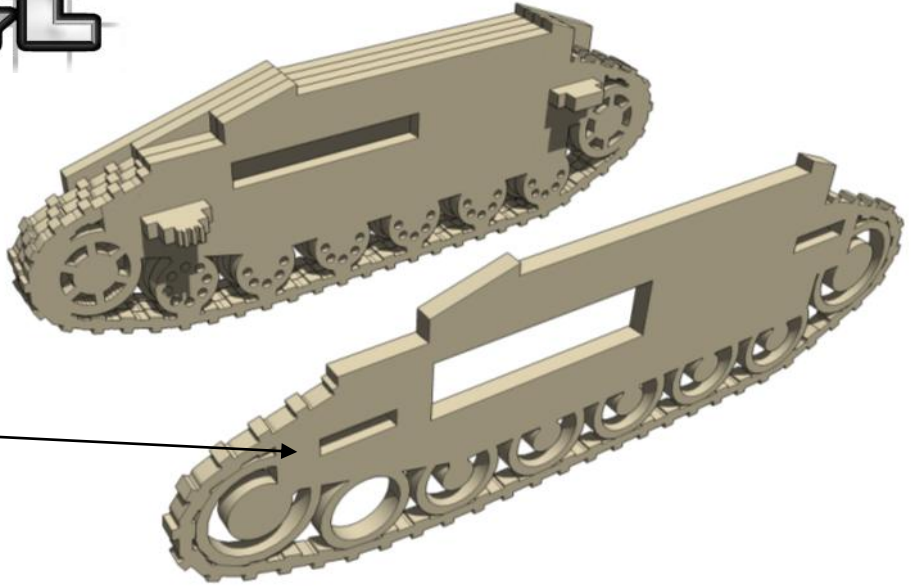


R4
(L4)

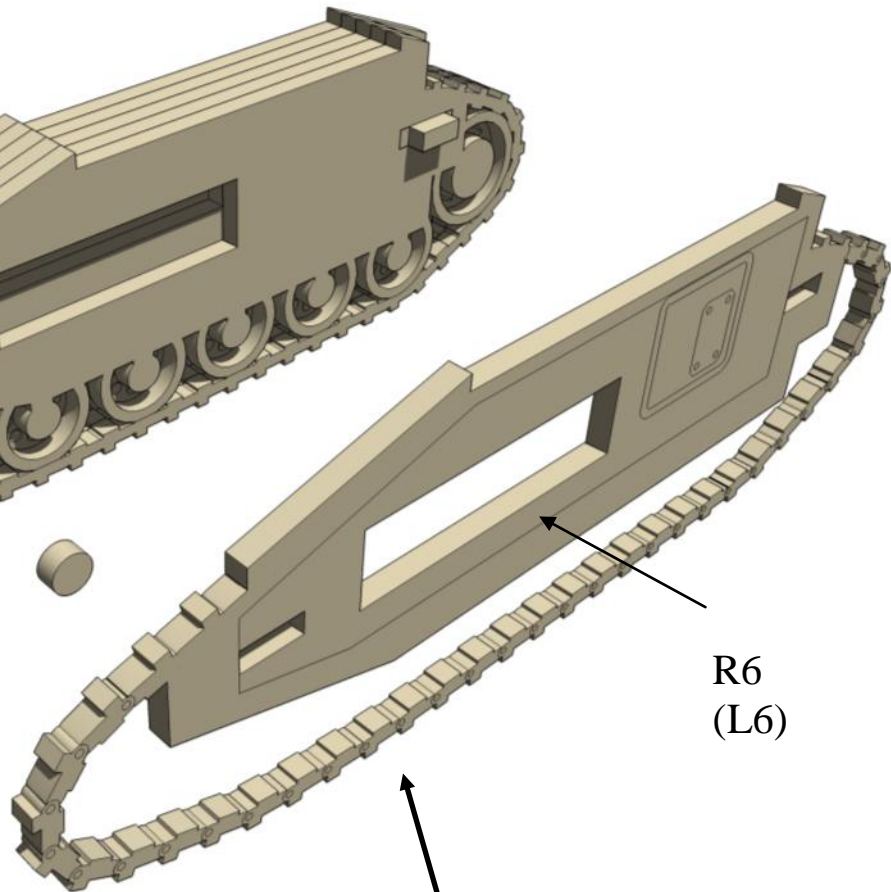


MINIATURE SCENERY

R5
(L5)



R6
(L6)



WARNING!!

This part is super fragile until firmly glued in place. If you break it (Like I did), carefully glue each piece in position.

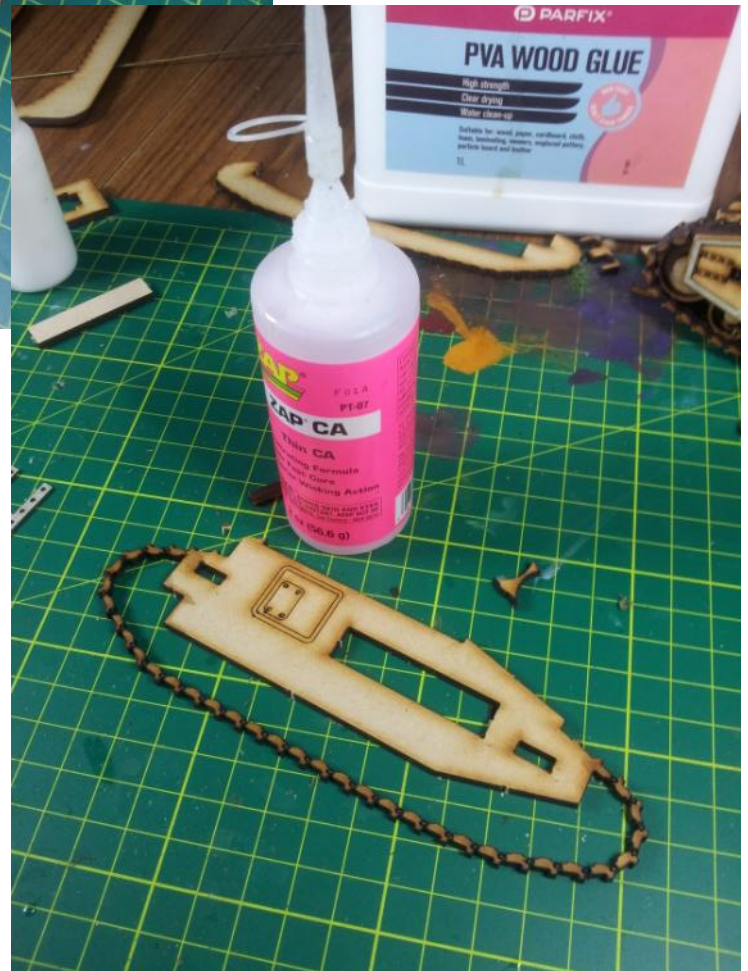
When dry, I suggest using super thin super glue all-over to reinforce the part.

MINIATURE SCENERY

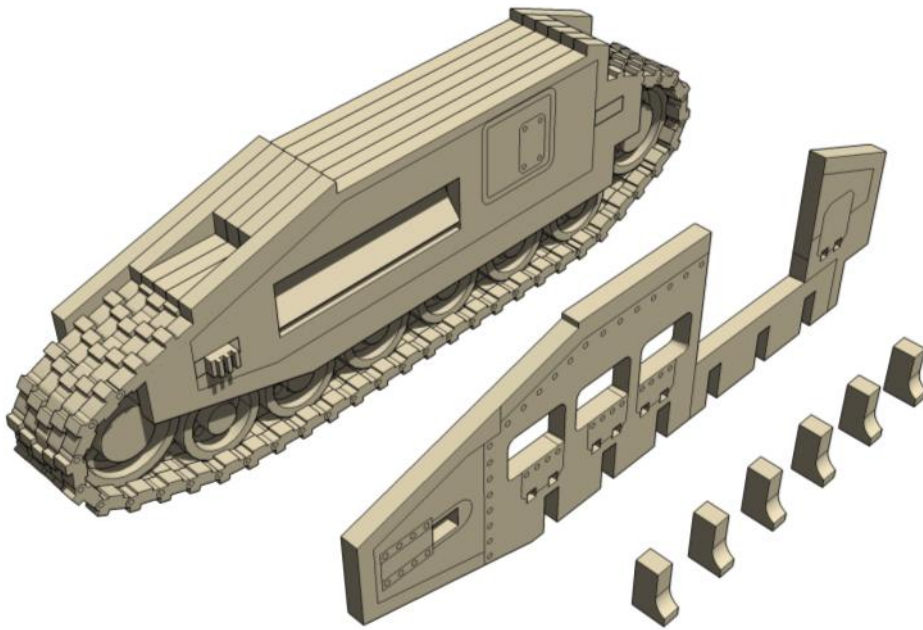
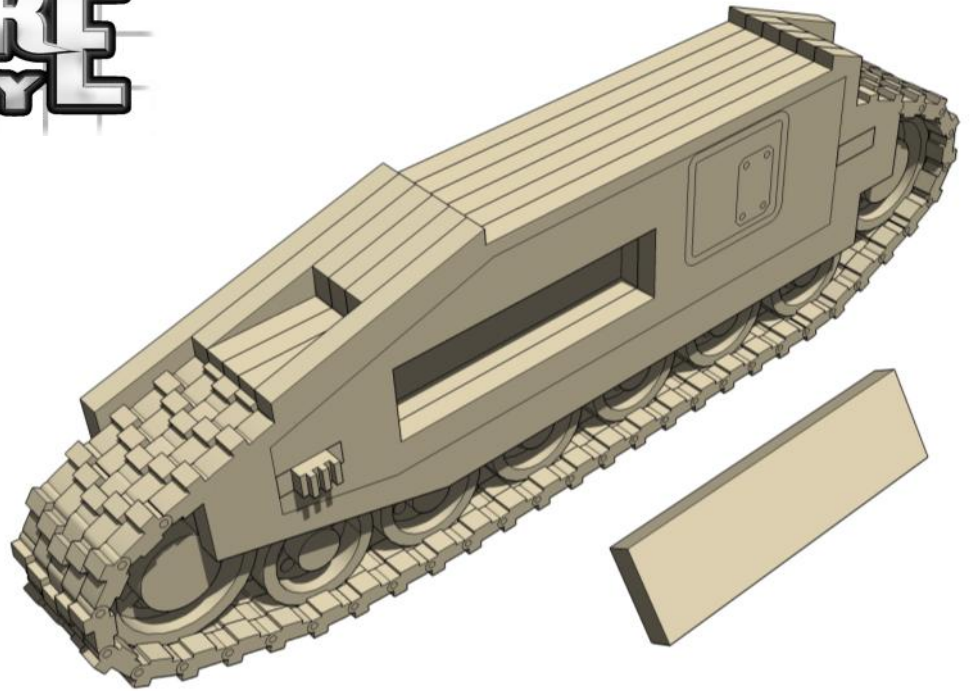
This part is super thin and fragile. When you break it, don't panic. simply glue the pieces in position and allow them to dry.



Once the outside track run (part R6 and L6) is glued firmly in place and dry, I suggest dripping super thin superglue over the whole part to strengthen the assembly.



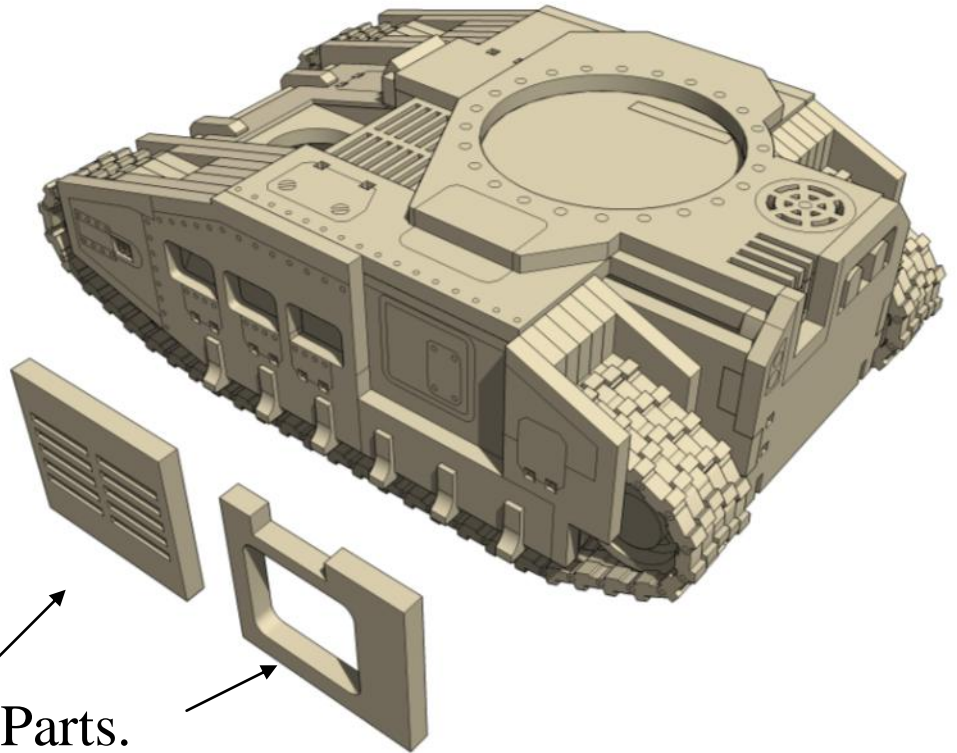
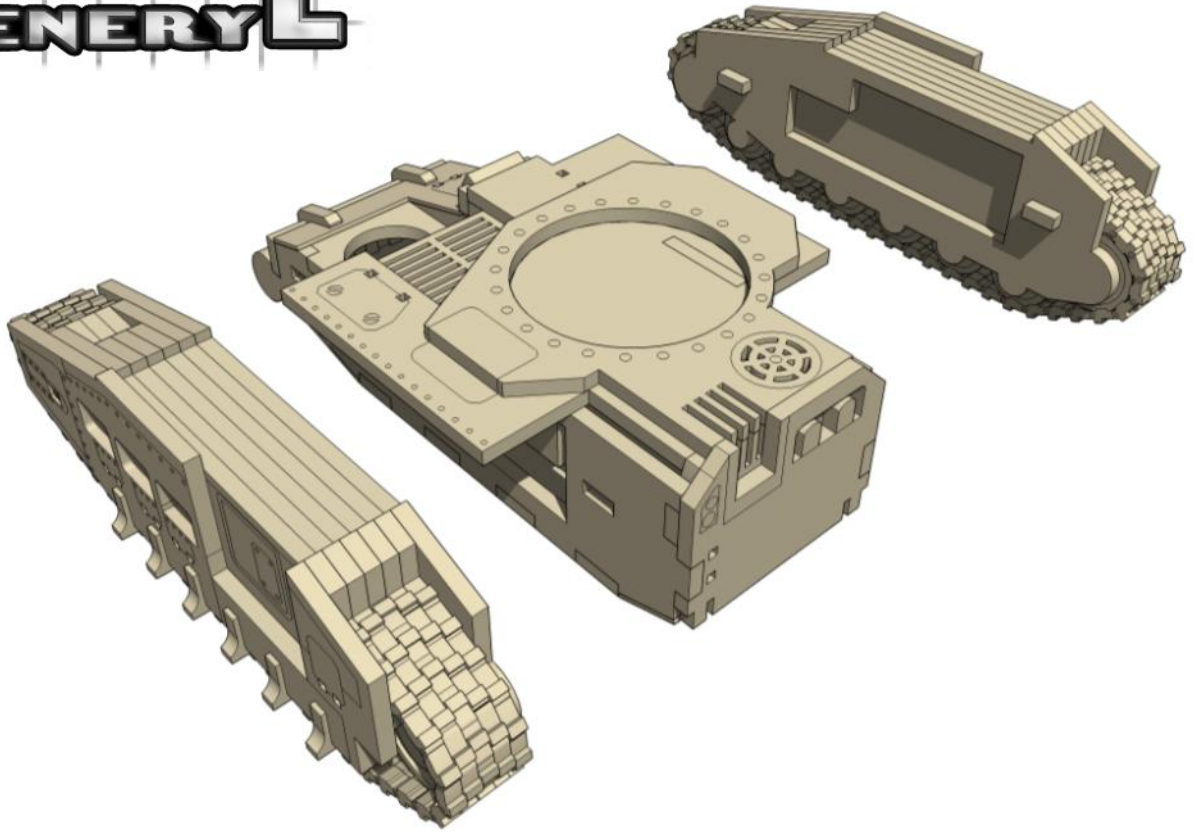
MINIATURE SCENERY



Repeat Track assembly for opposite side.

CNC WORKSHOP

MINIATURE SCENERY

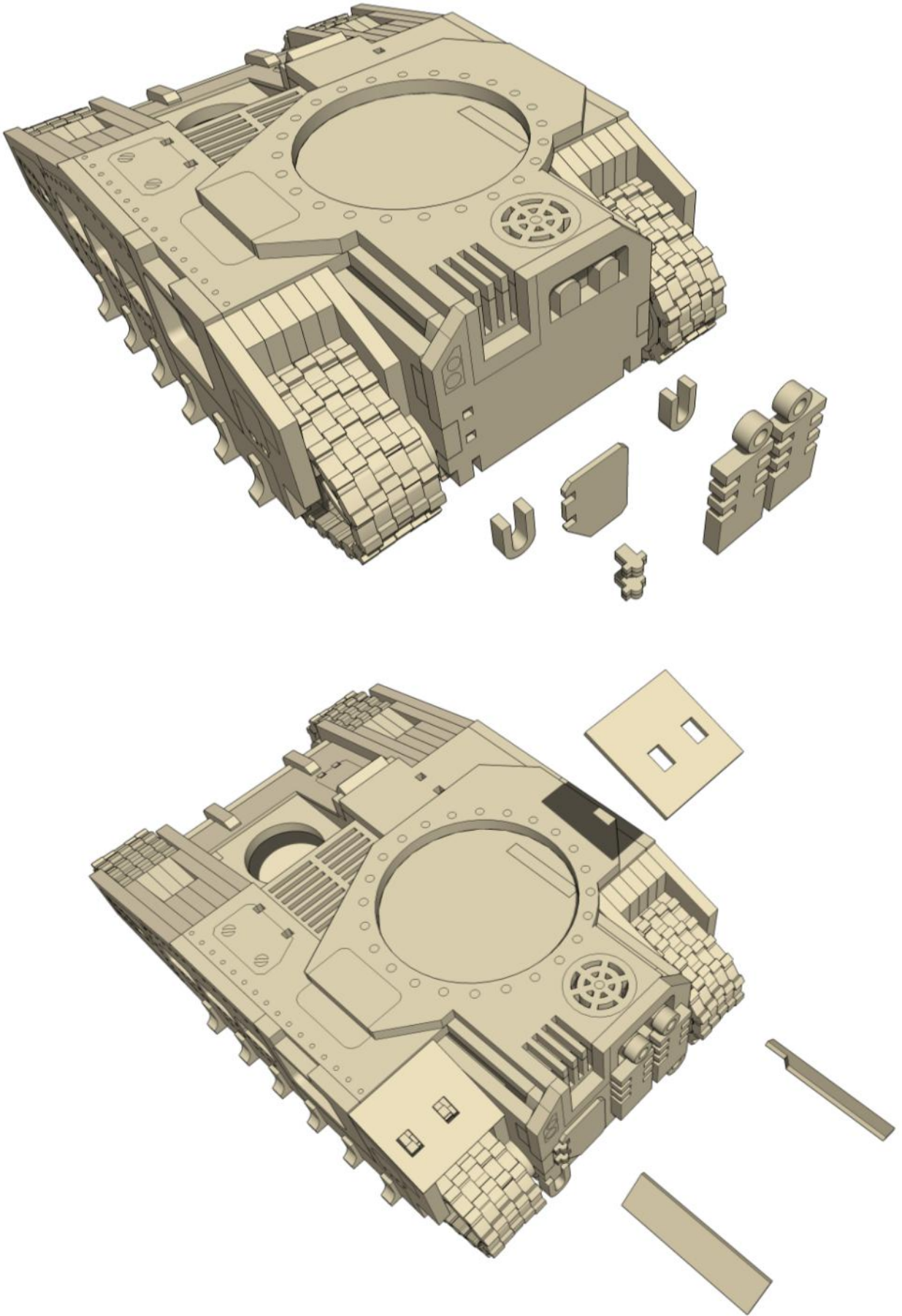


Alternate Parts.

For with/ without sponson weapons.

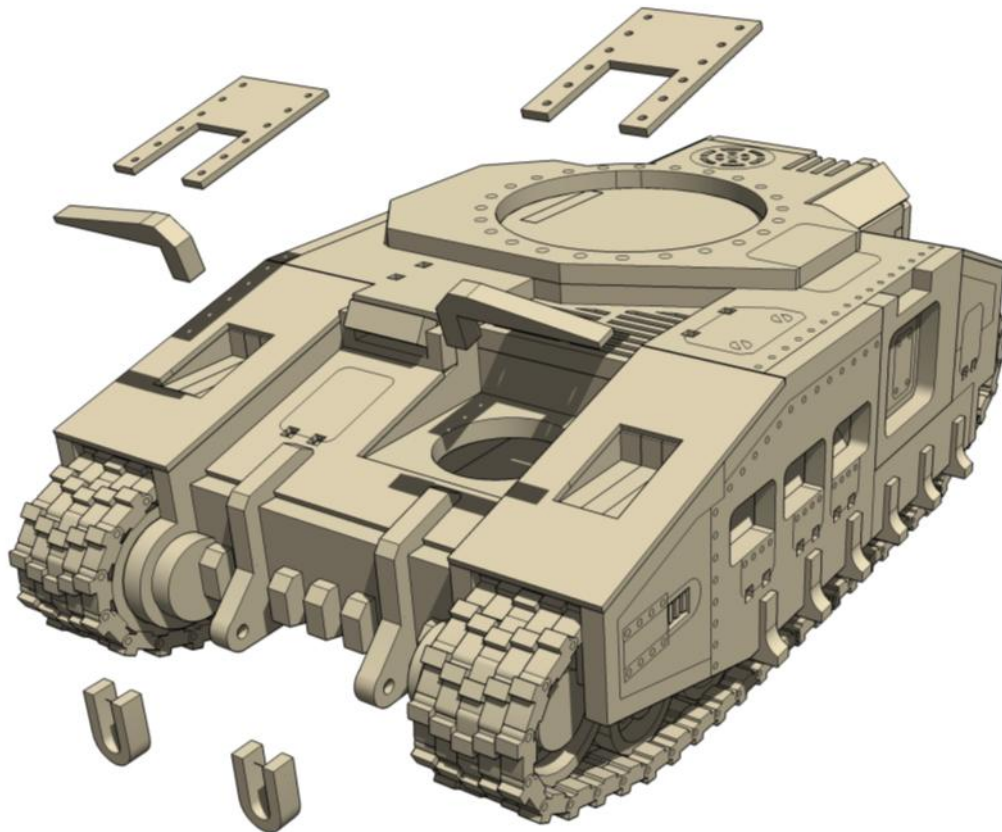
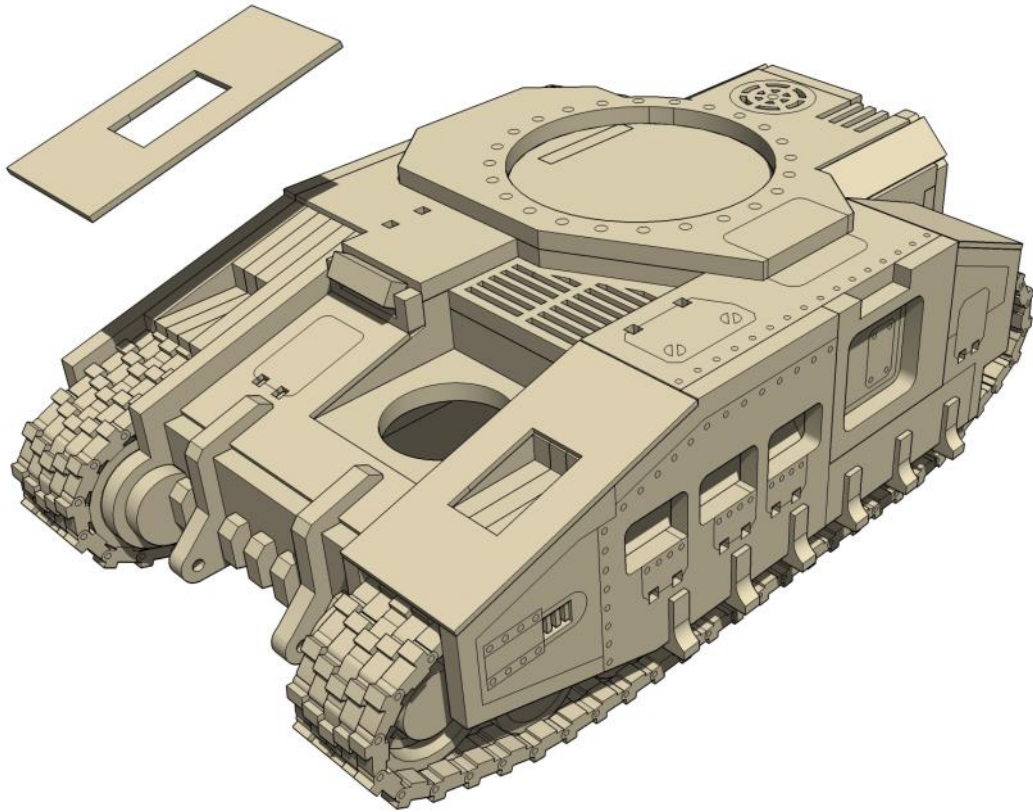
CNC WORKSHOP

MINIATURE SCENERY



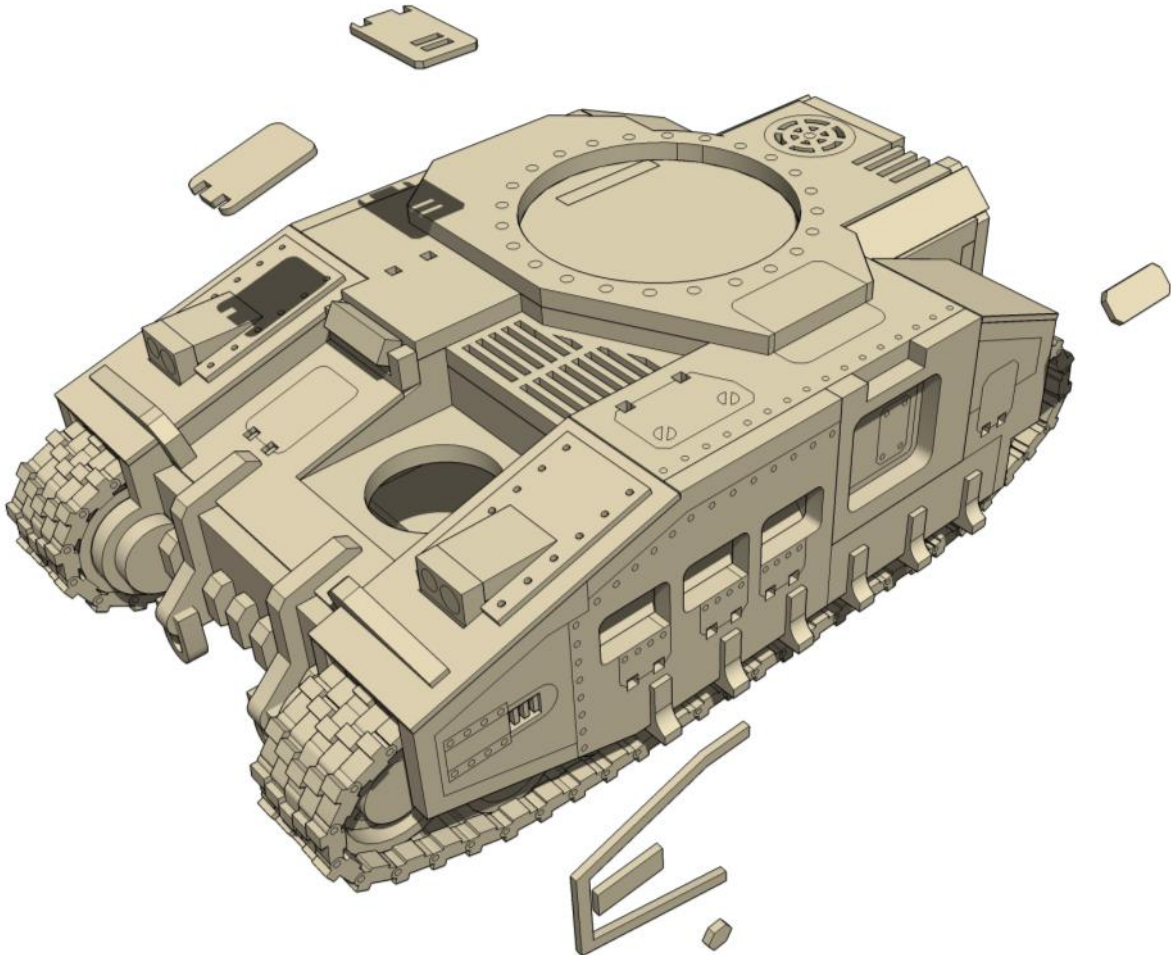
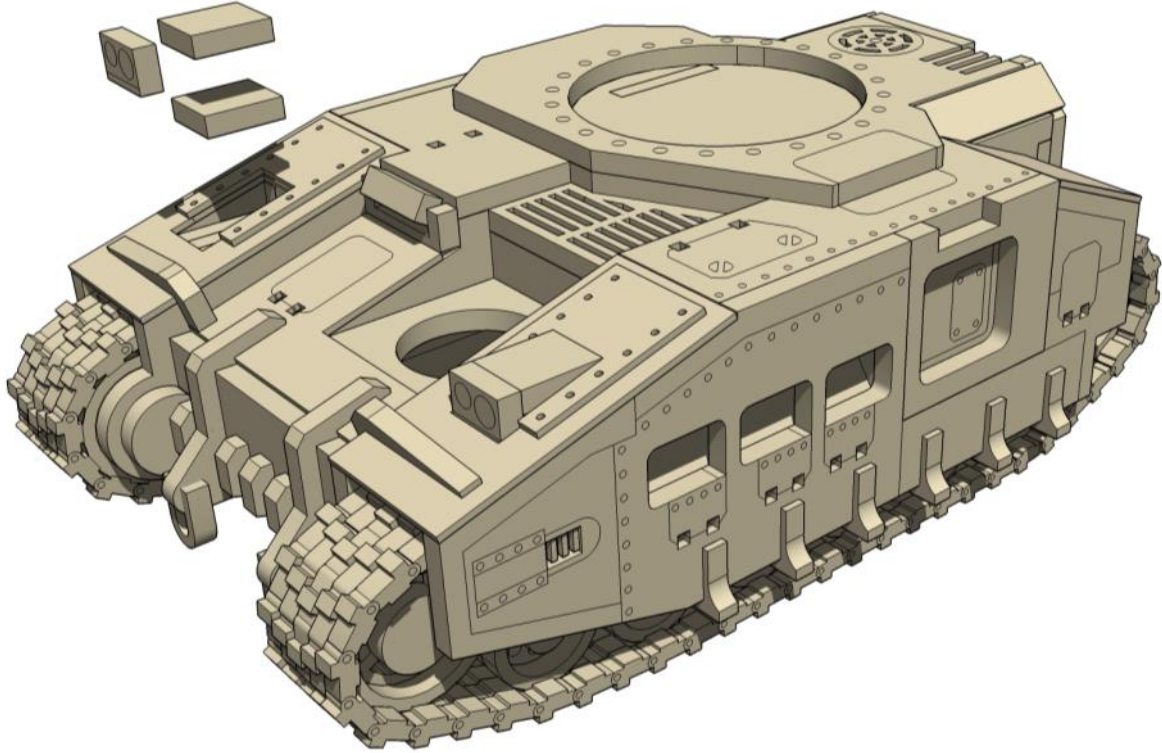
CNC WORKSHOP

MINIATURE SCENERY



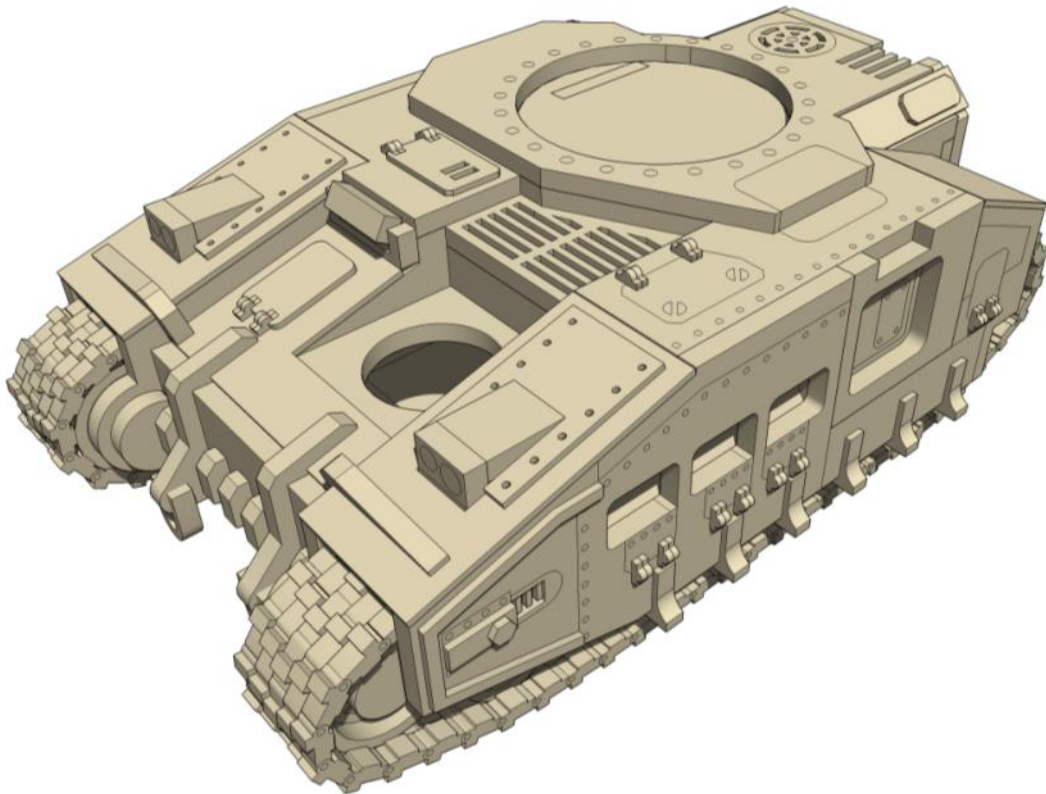
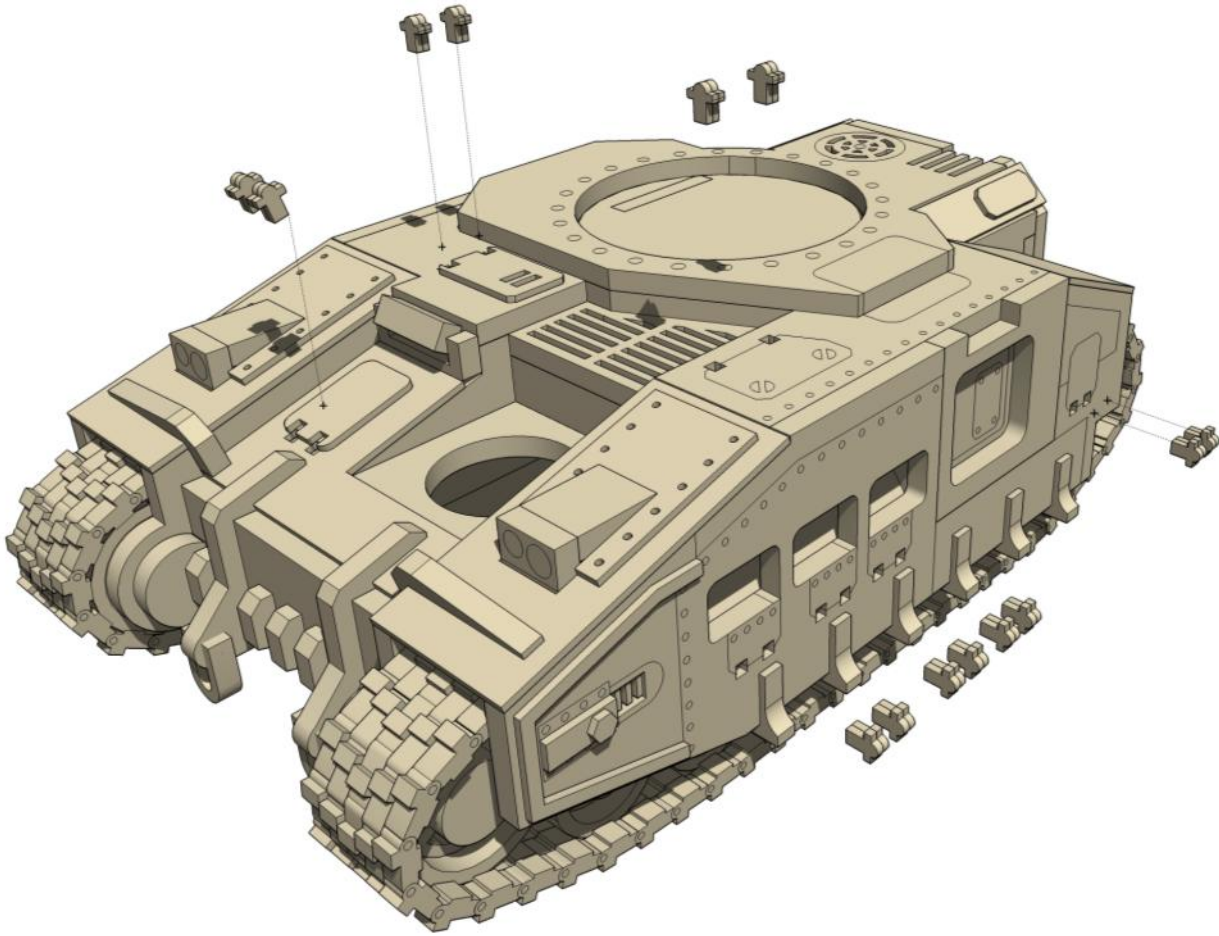
CNC WORKSHOP

MINIATURE SCENERY



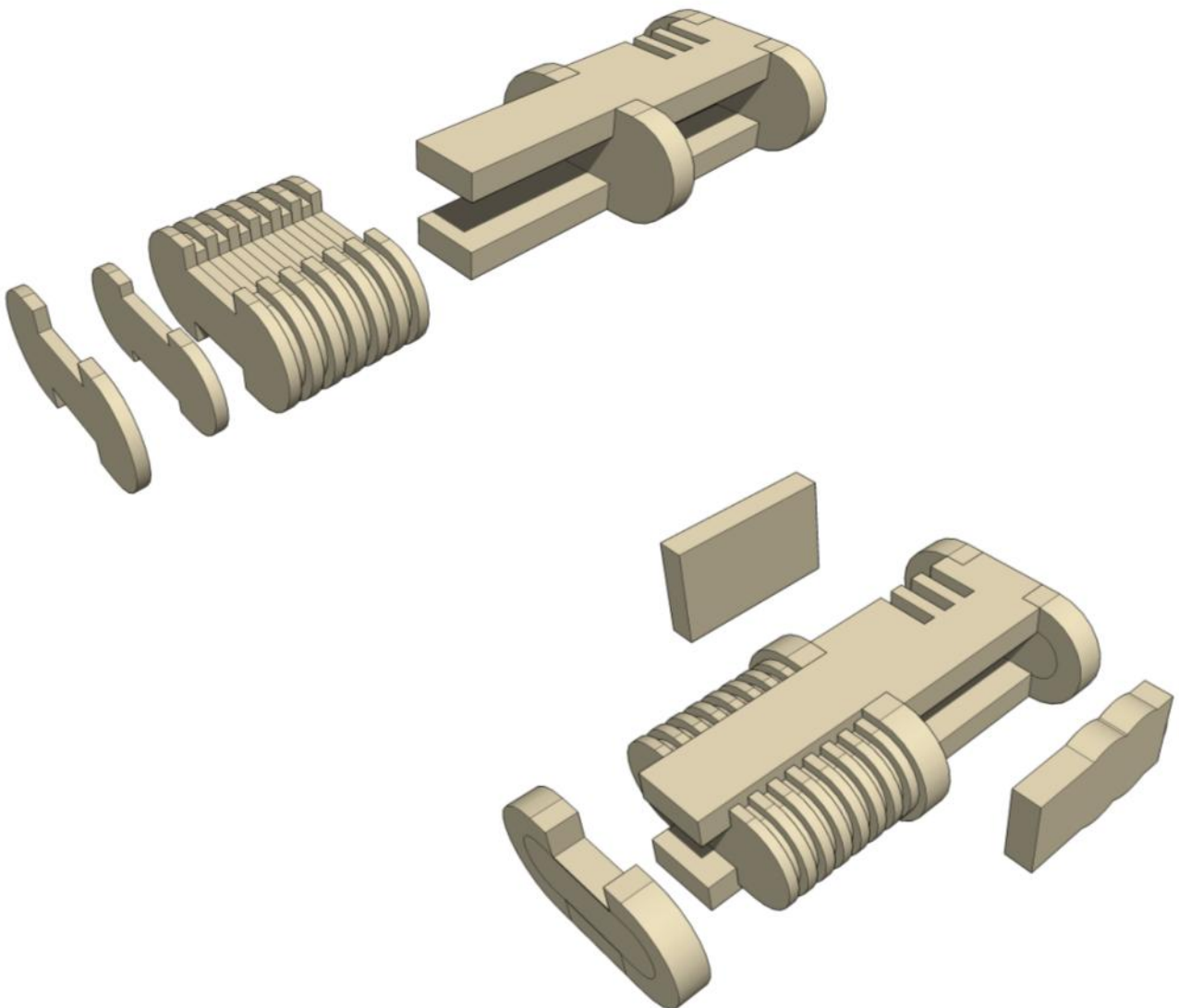
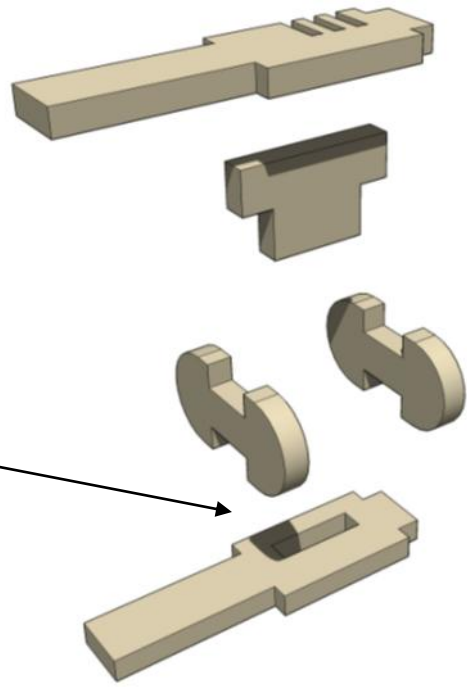
CNC WORKSHOP

MINIATURE SCENERY



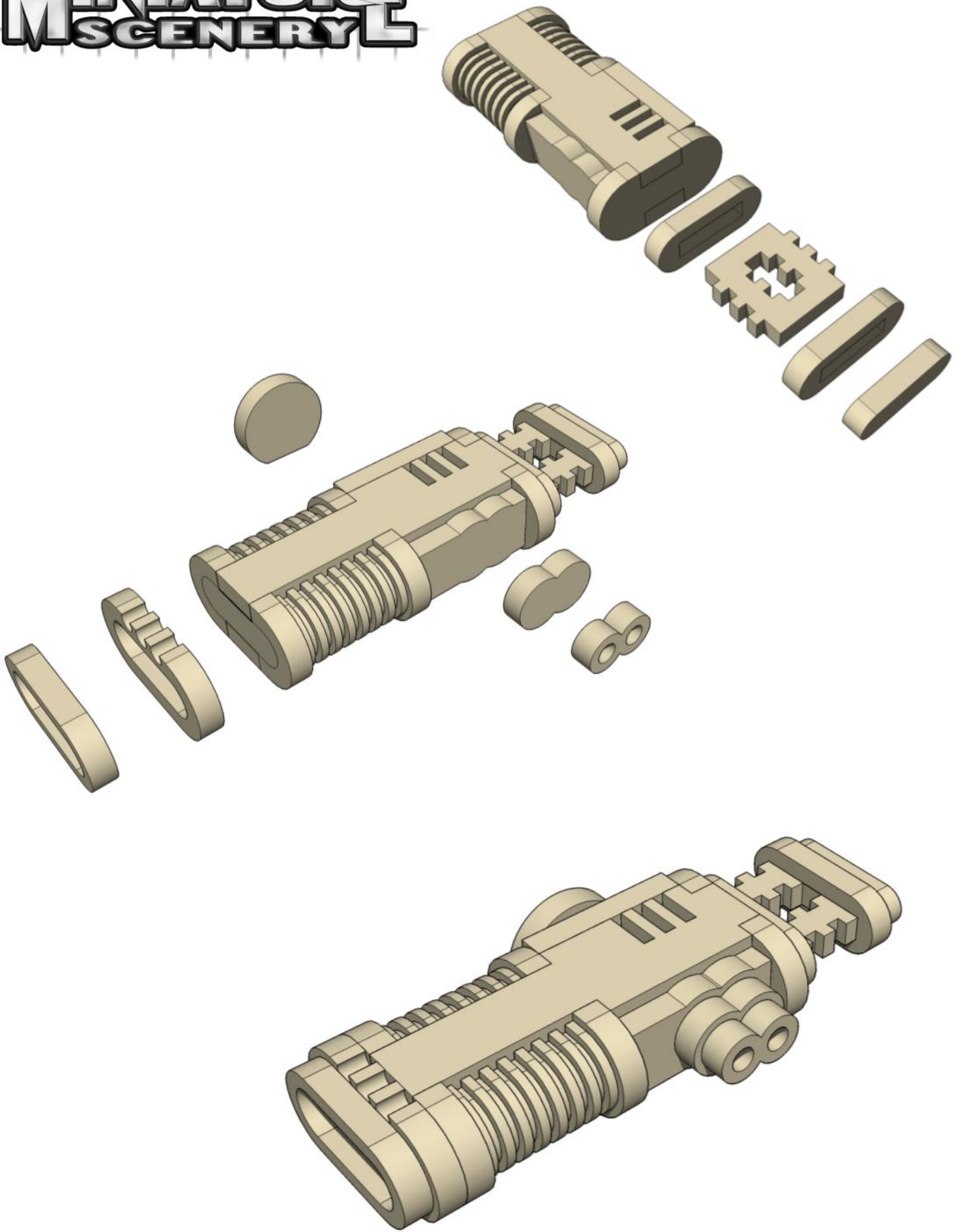
MINIATURE SCENERY

Note off-set of slot

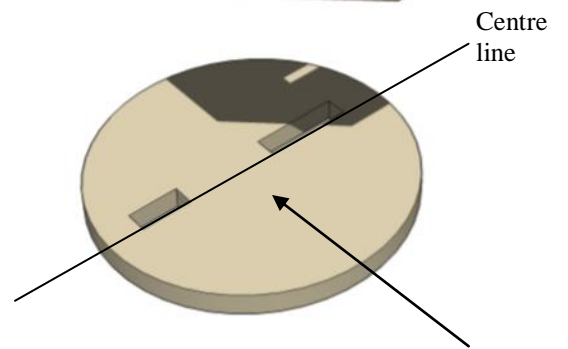
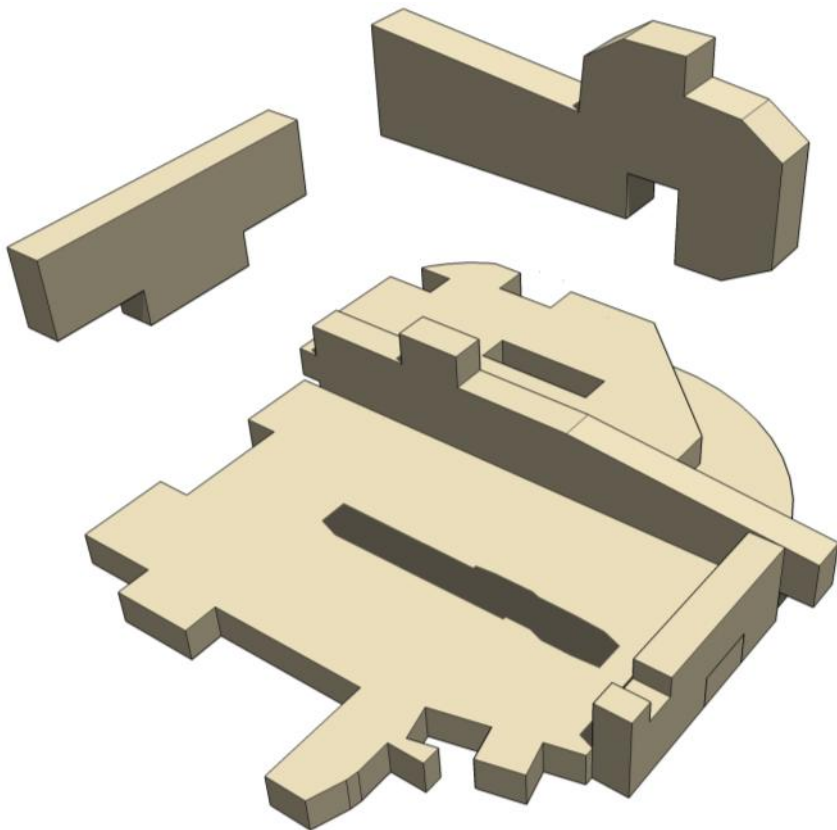
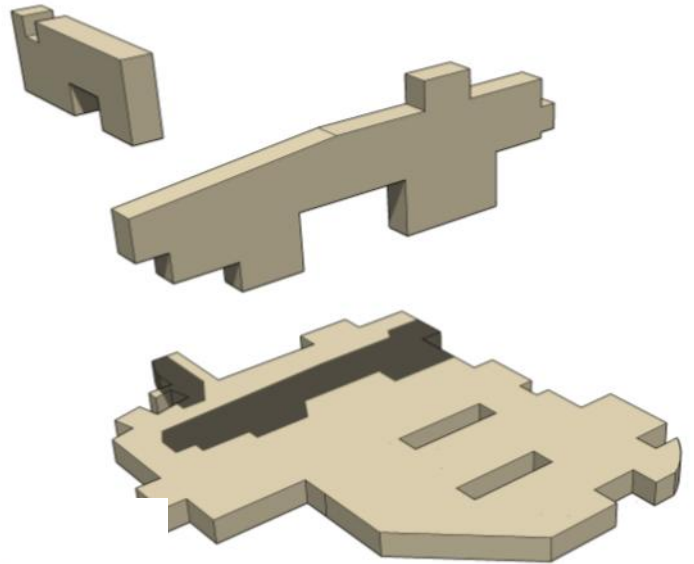


CNC WORKSHOP

MINIATURE SCENERY

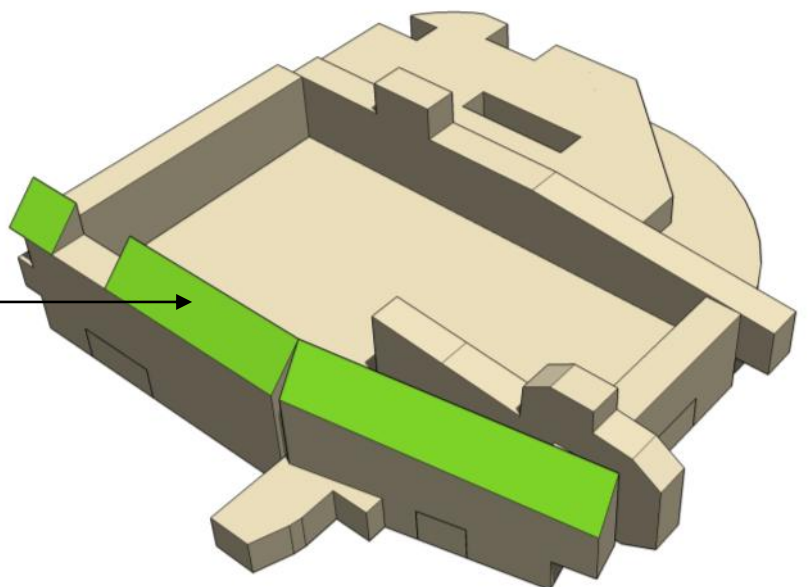


MINIATURE SCENERY



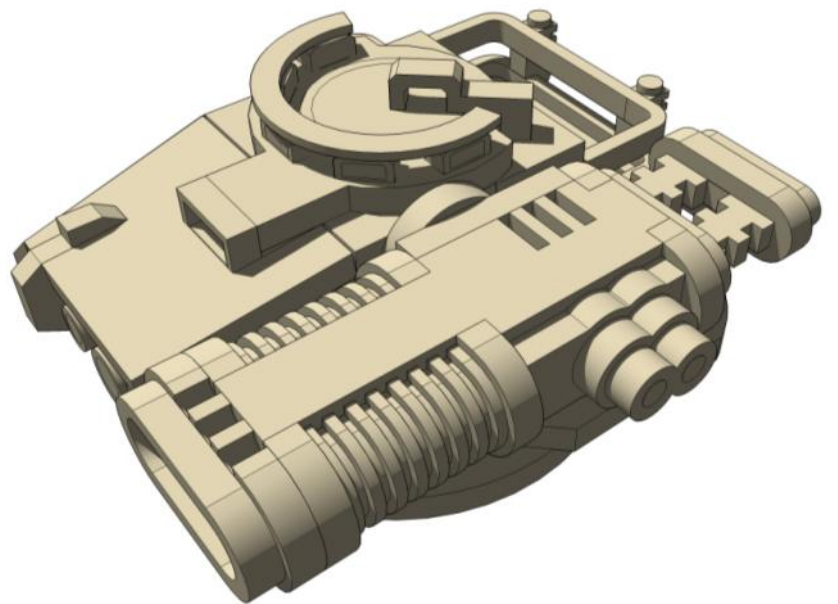
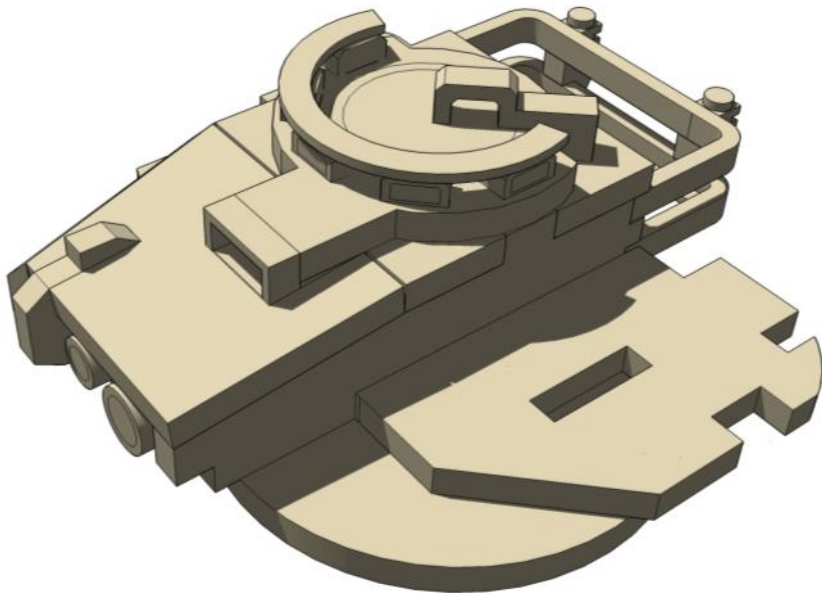
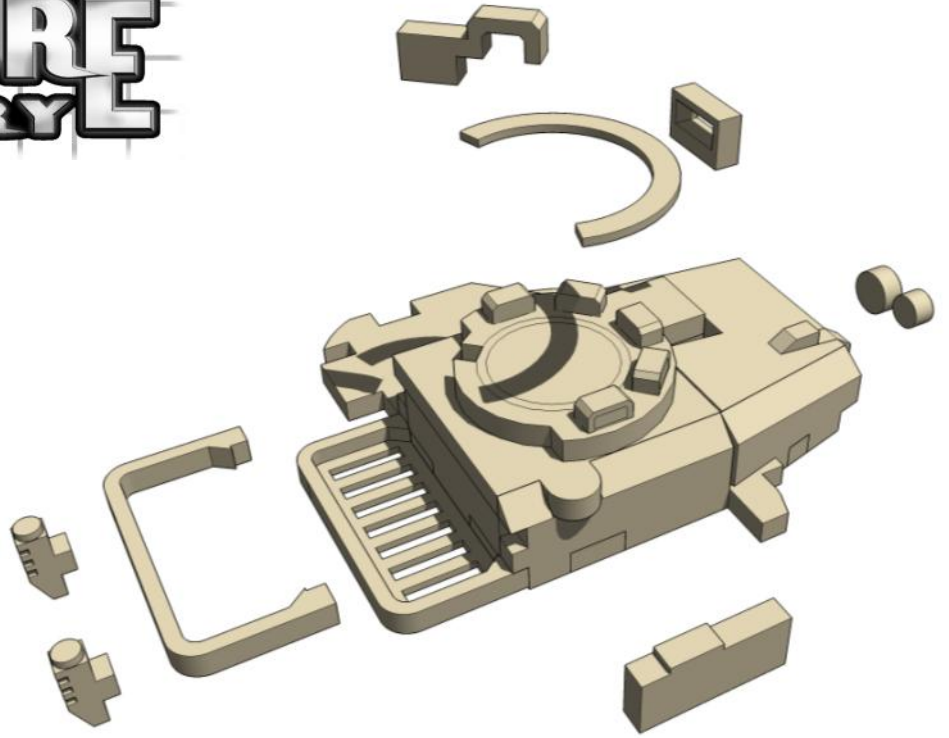
Note the holes are off-set from the centre.

You can Chamfer these edges with a sharp knife and / or file. The model will look cooler for it.



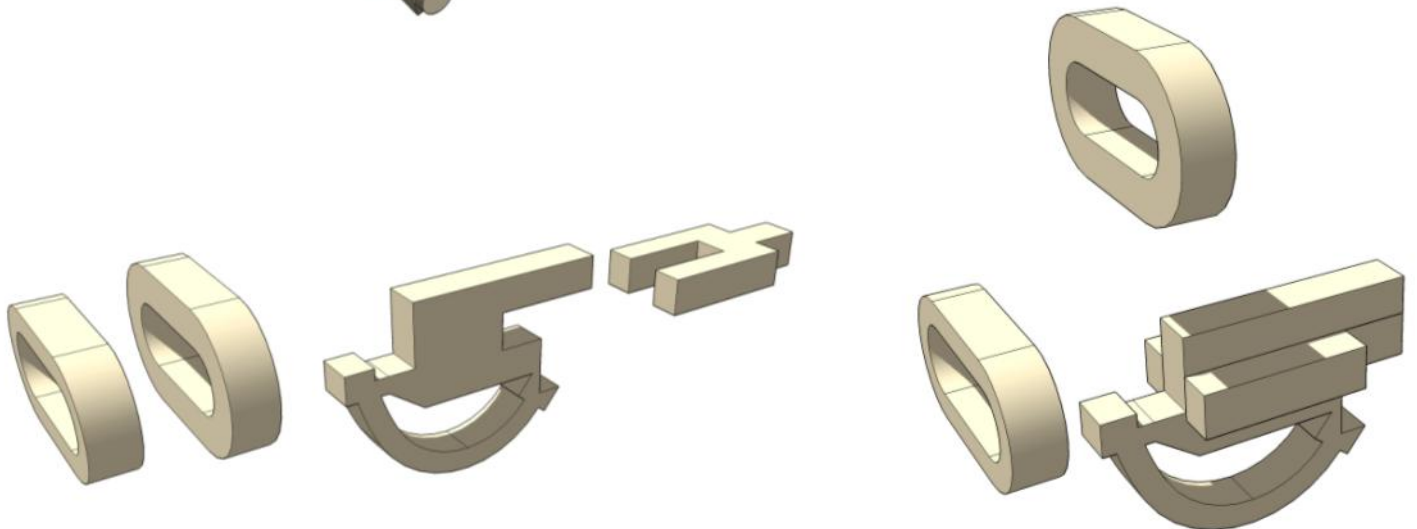
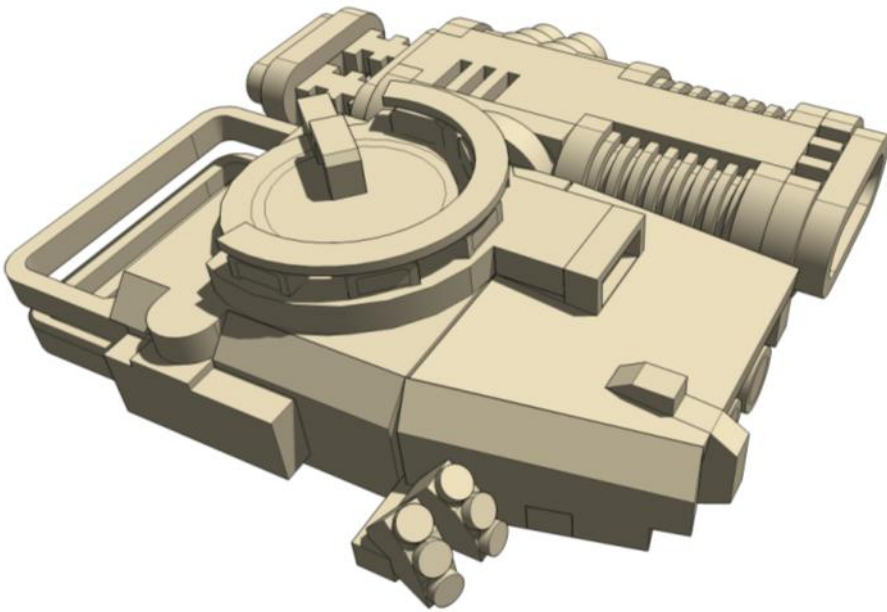
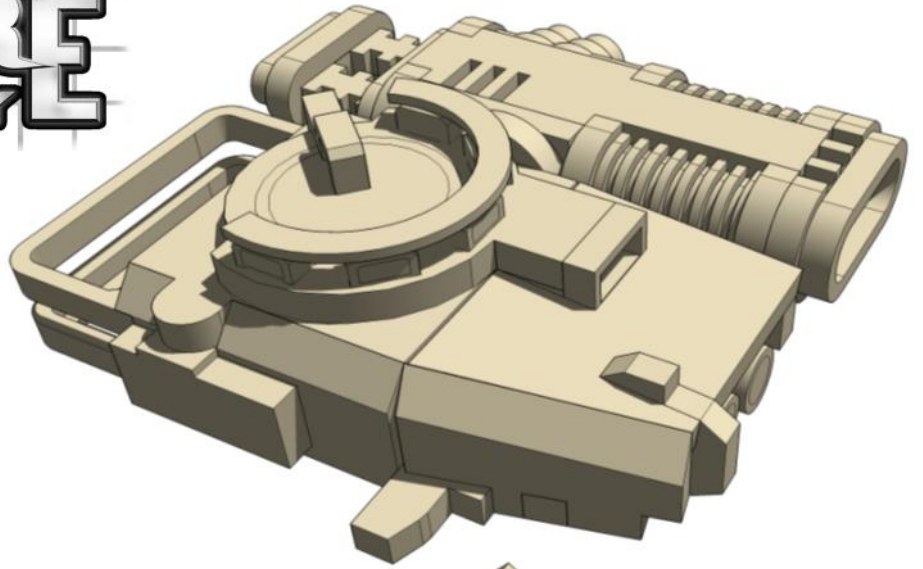
CNC WORKSHOP

MINIATURE SCENERY



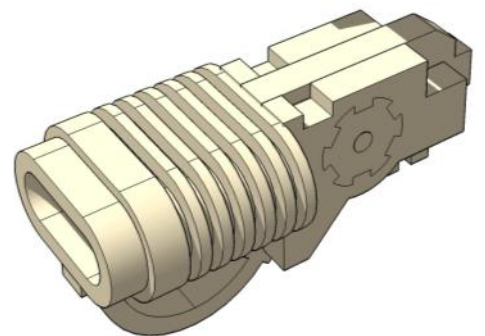
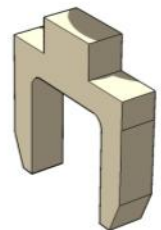
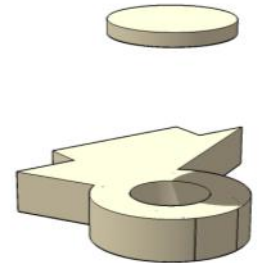
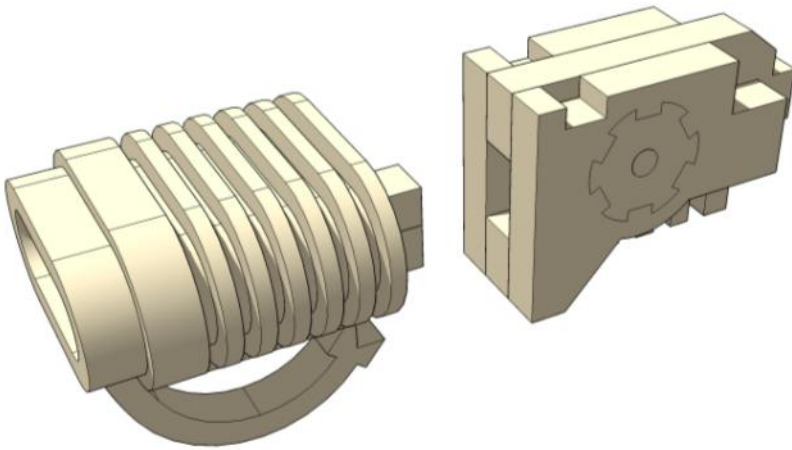
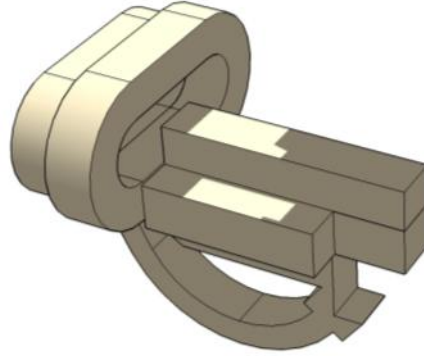
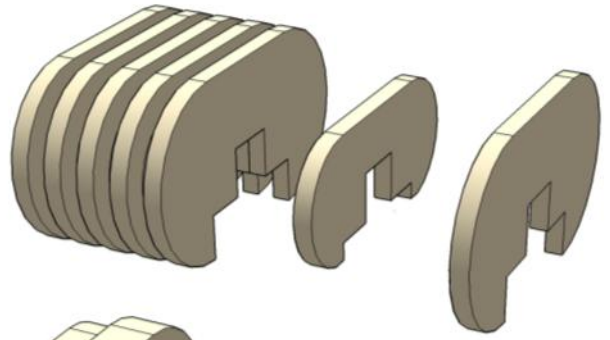
CNC WORKSHOP

MINIATURE SCENERY



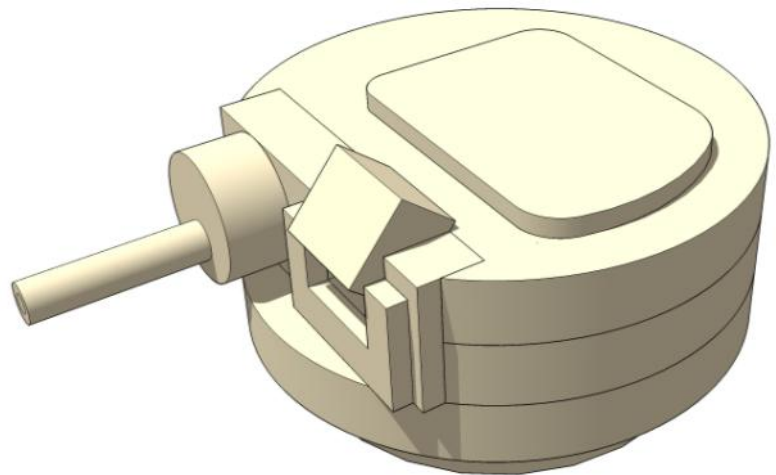
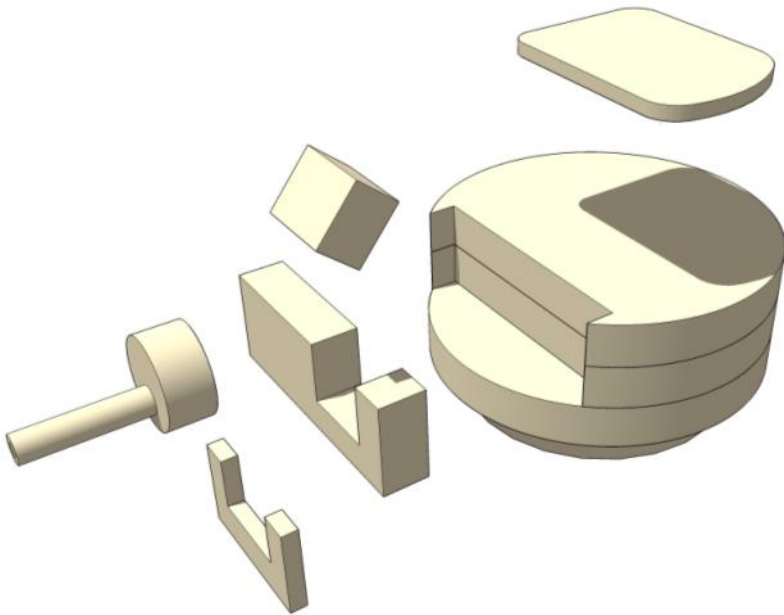
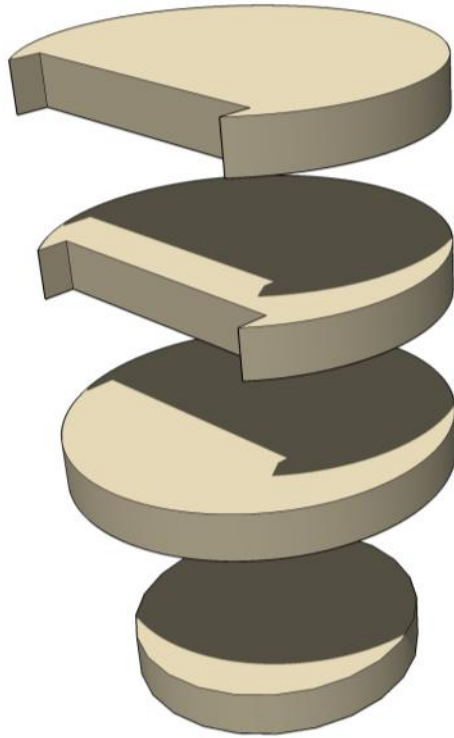
CNC WORKSHOP

MINIATURE MISCELLANEOUS



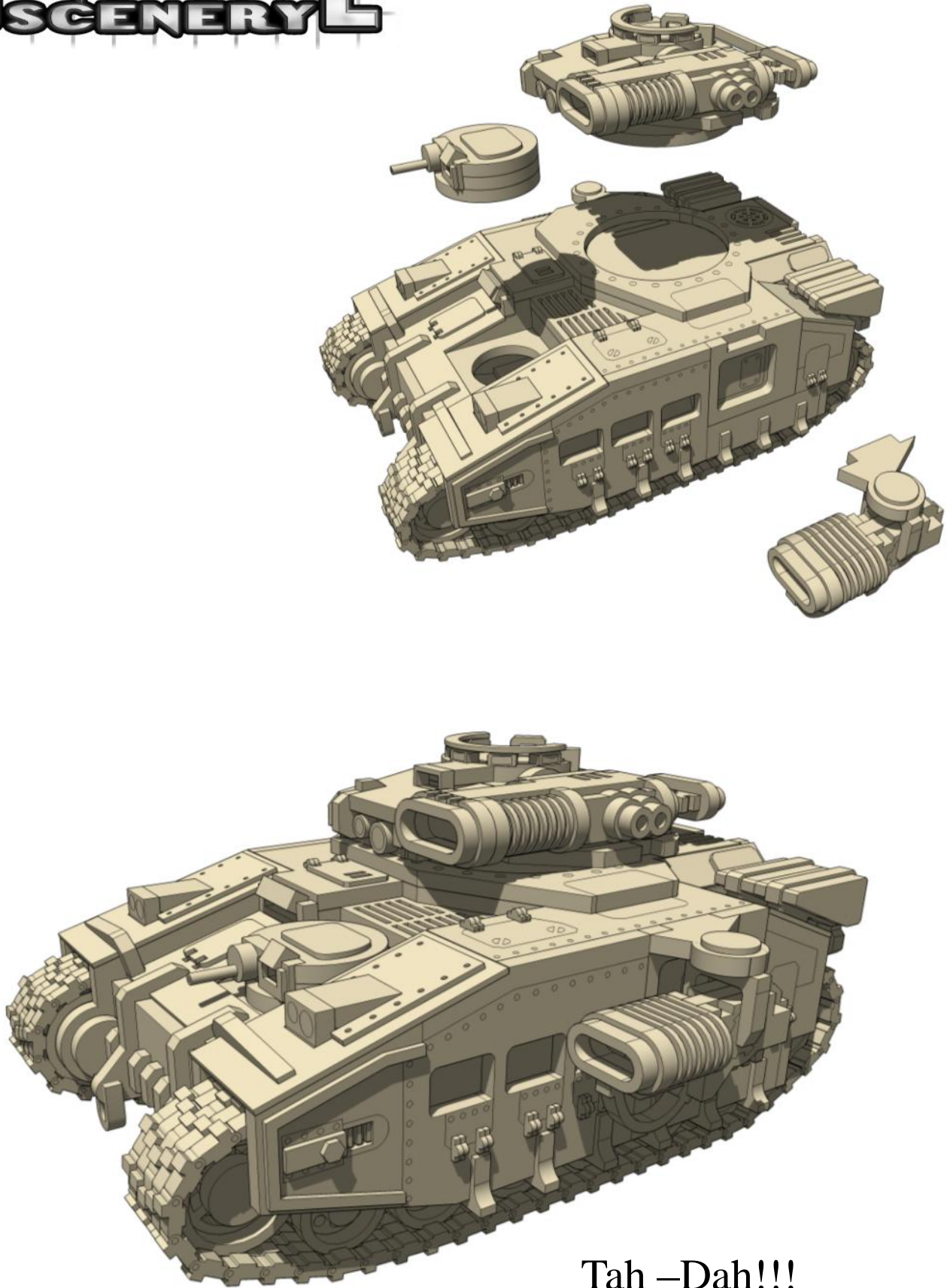
CNC WORKSHOP

MINIATURE MISGENERYL



CNC WORKSHOP

MINIATURE SCENERY



Tah -Dah!!!

All done.

CNC WORKSHOP

MINIATURE MISGENERY



CNC WORKSHOP

MINIATURE MISGENERY L



CNC WORKSHOP

MINIATURE SCENERY

