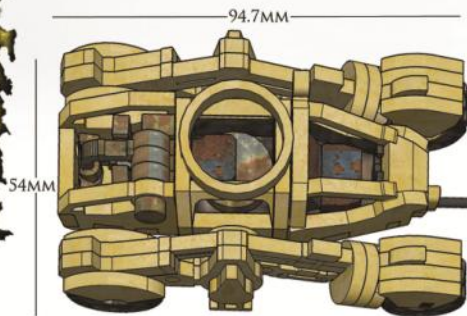
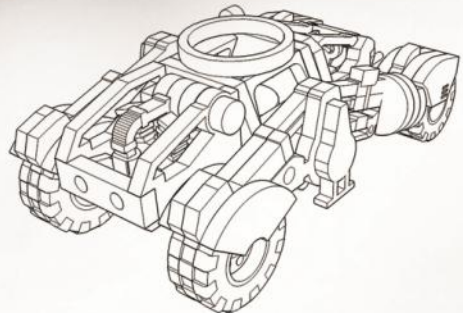


CNC WORKSHOP

# MINIATURE SCENERY

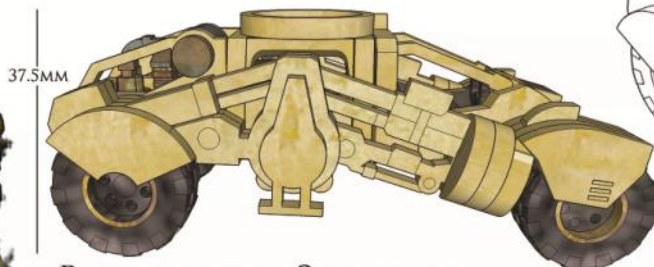
## DESERT BUGGY 2.0



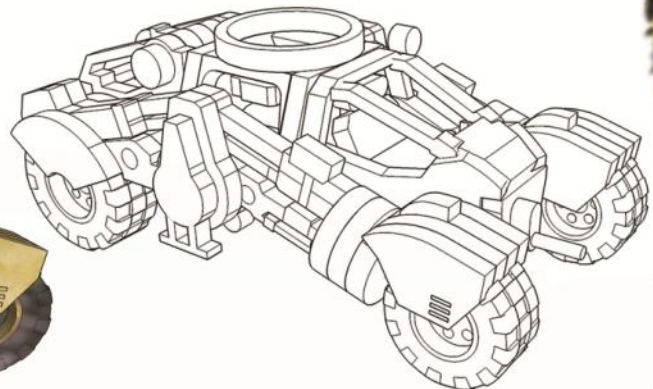
NEW DESIGN

THIS MODEL IS DESIGNED FOR USE AS TERRAIN OR A UNIQUE PLAYING PIECE. IDEAL FOR GAMERS AND COLLECTORS.

THE UPDATED DESIGN FEATURES GREATER DETAIL AND STREAMLINED ASSEMBLY



PACK INCLUDES 2 BUGGIES



FOR DETAILED, EASY TO FOLLOW INSTRUCTIONS VISIT  
[WWW.MINIATURESCENERY.COM](http://WWW.MINIATURESCENERY.COM)

#### Preparation

Once you clear some table space you will need a pair of side cutters and glue (PVA, wood glue, hobby glue). A file or small piece of sandpaper can be used to clean along any edges that have burr.

It's a good idea to familiarise yourself with how the pieces fit together before gluing.

#### Getting Started

**I.** Remove all the parts out of the board with your cutters.

**II.** Go over each part again with the cutters removing as much of the tabs as possible (this greatly reduces the time needed with the file or sand paper).

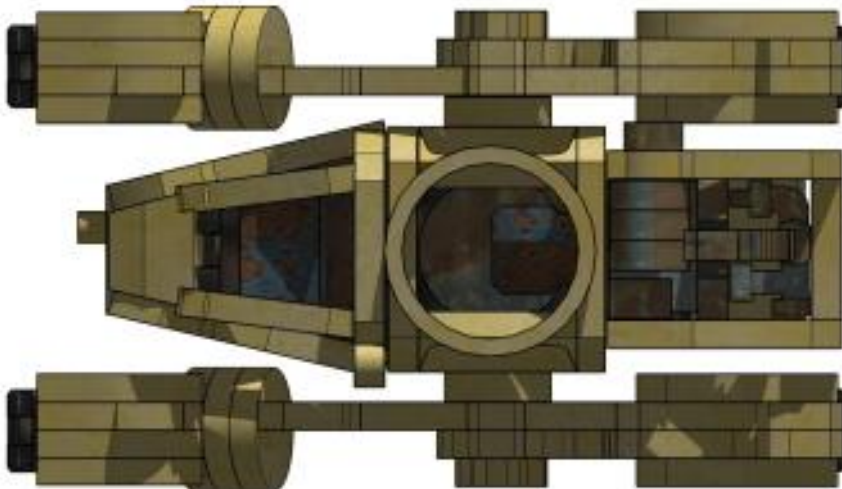
**III.** Use a file or sand paper last to completely remove the tabs that might remain.

**IV.** Parts may be a very tight fit, slight trimming or sanding of parts may be needed for ease of assembly.

#### Construction

Slot the parts together as shown by the pictures below, applying glue wherever there is a connection.

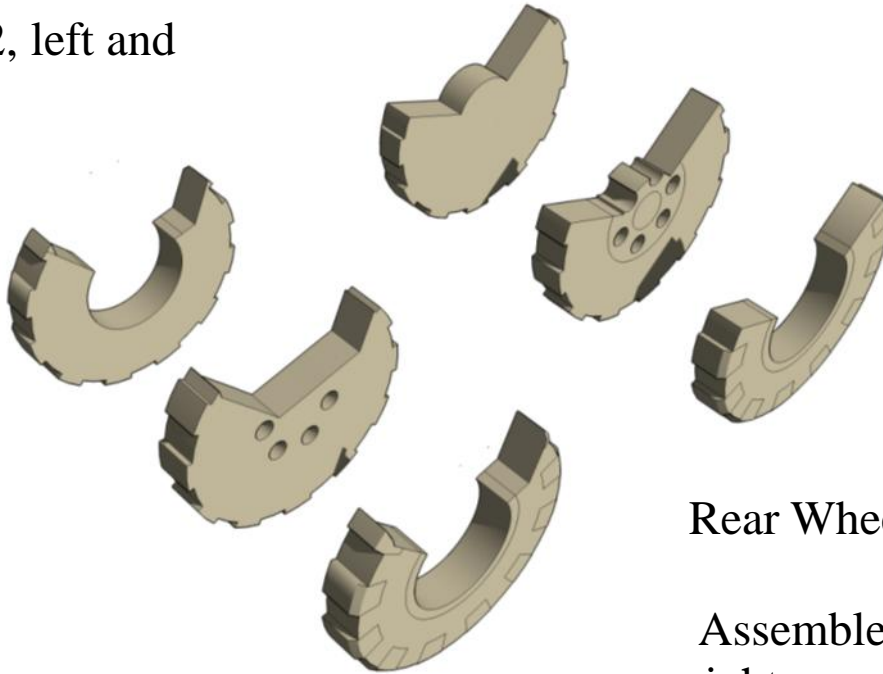
Allow the model to completely dry before painting it.



# MINIATURE SCENERY

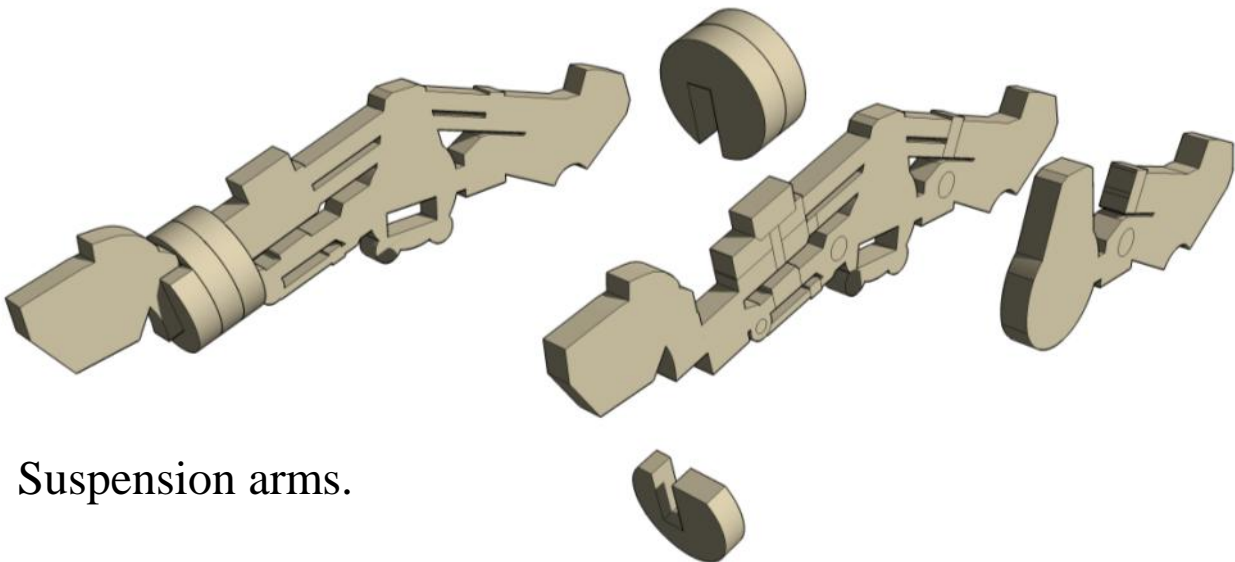
Front wheel

Assemble 2, left and right.



Rear Wheel

Assemble 2, left and right.

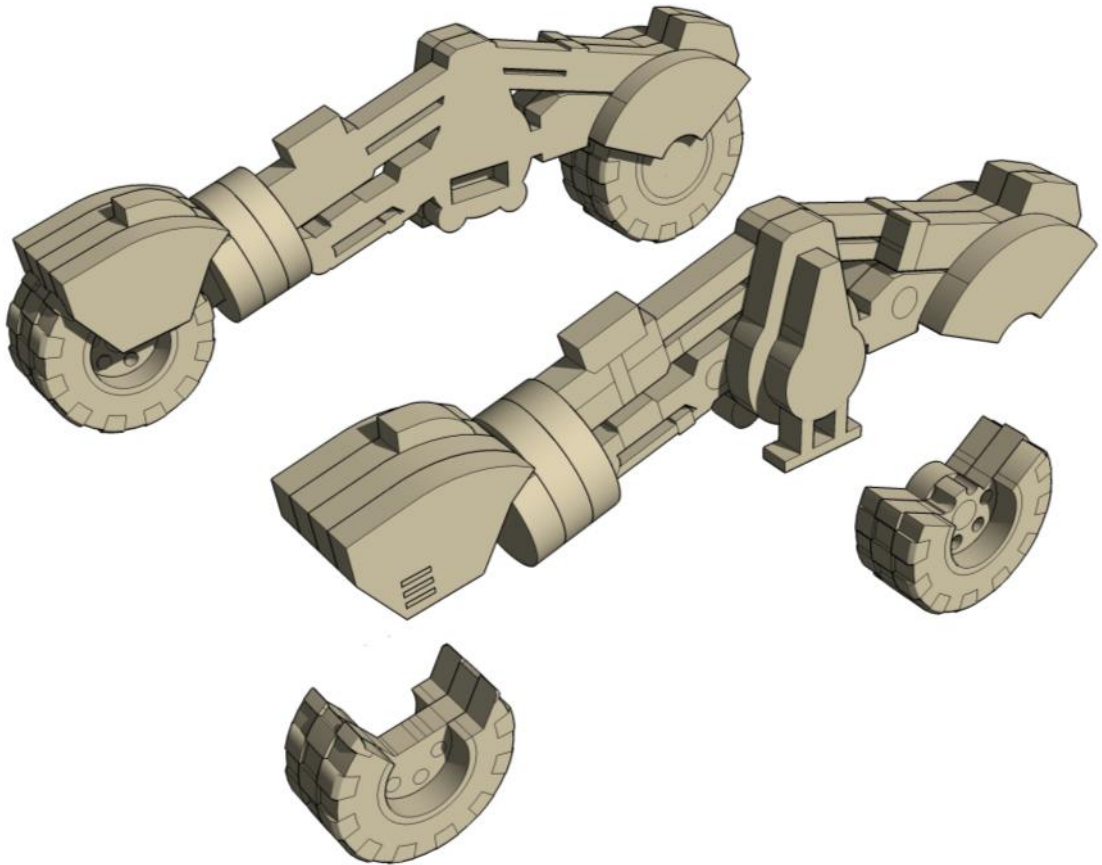
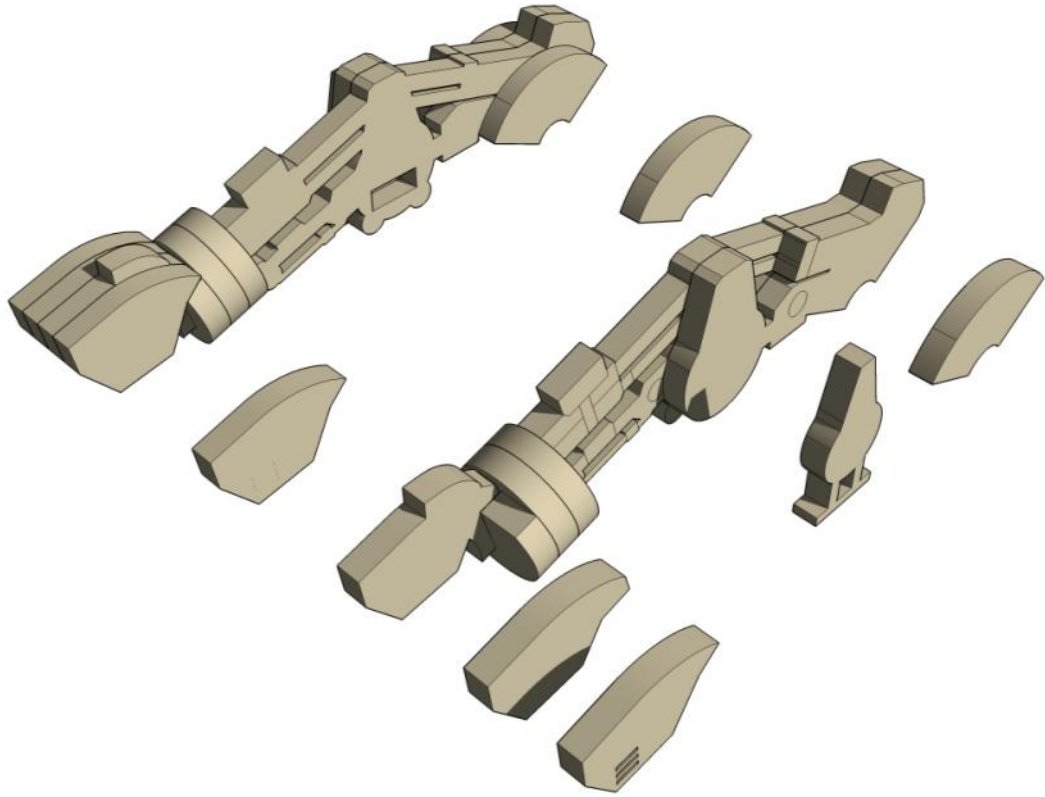


Suspension arms.

Assemble 2, left and right.

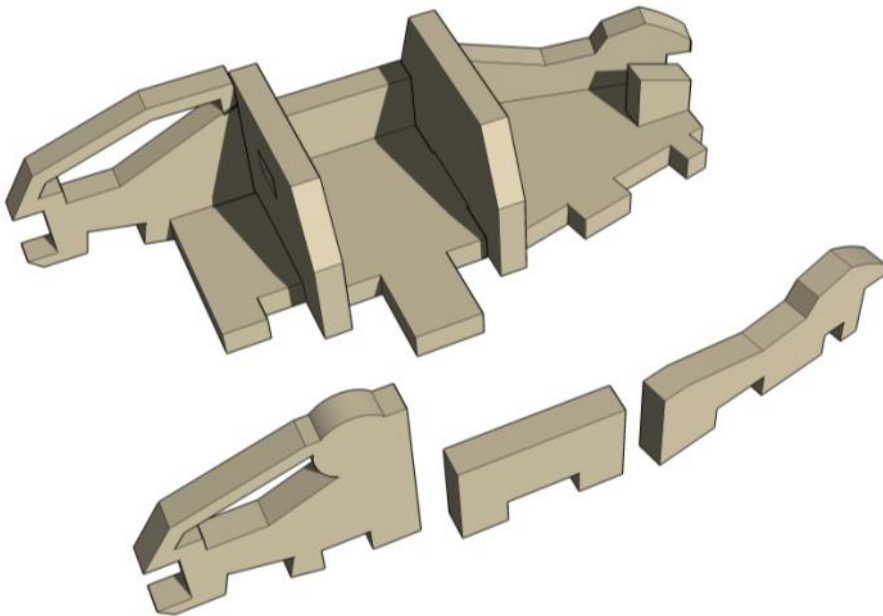
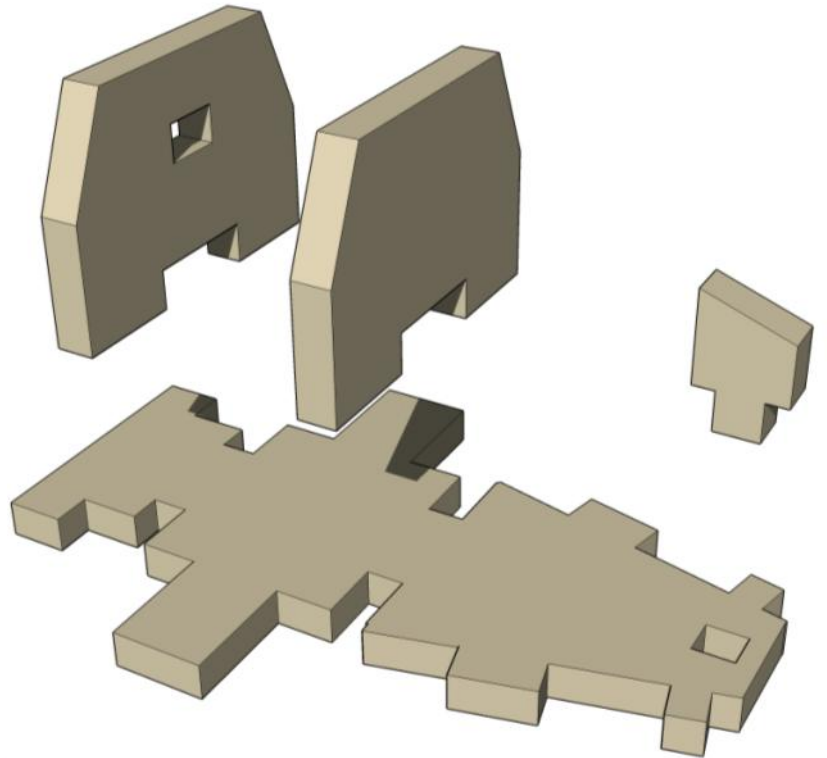
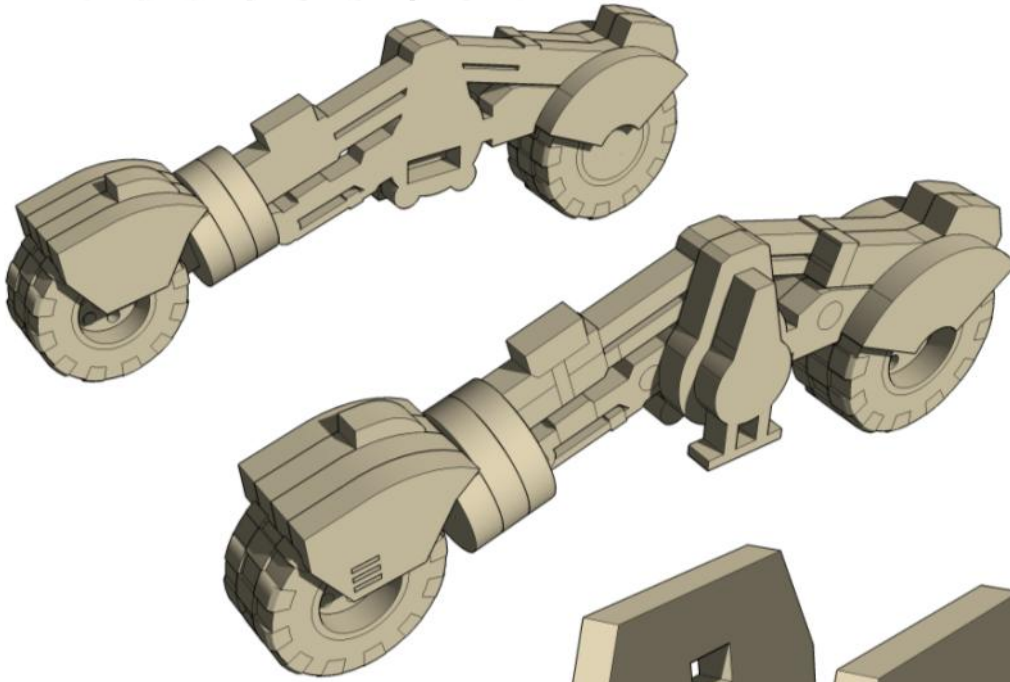
CNC WORKSHOP

# MINIATURE SCENERY



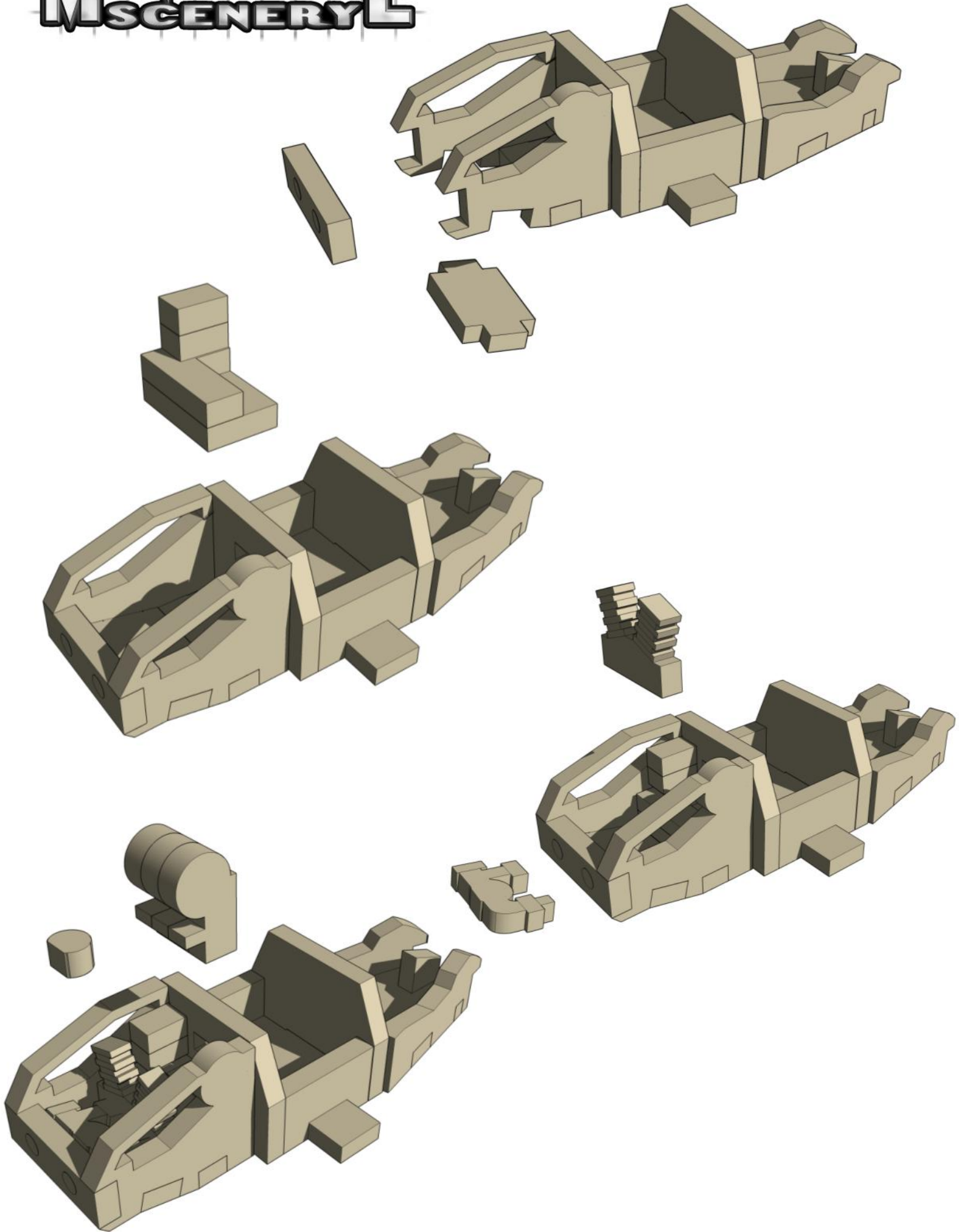
CNC WORKSHOP

# MINIATURE MISCELLANY



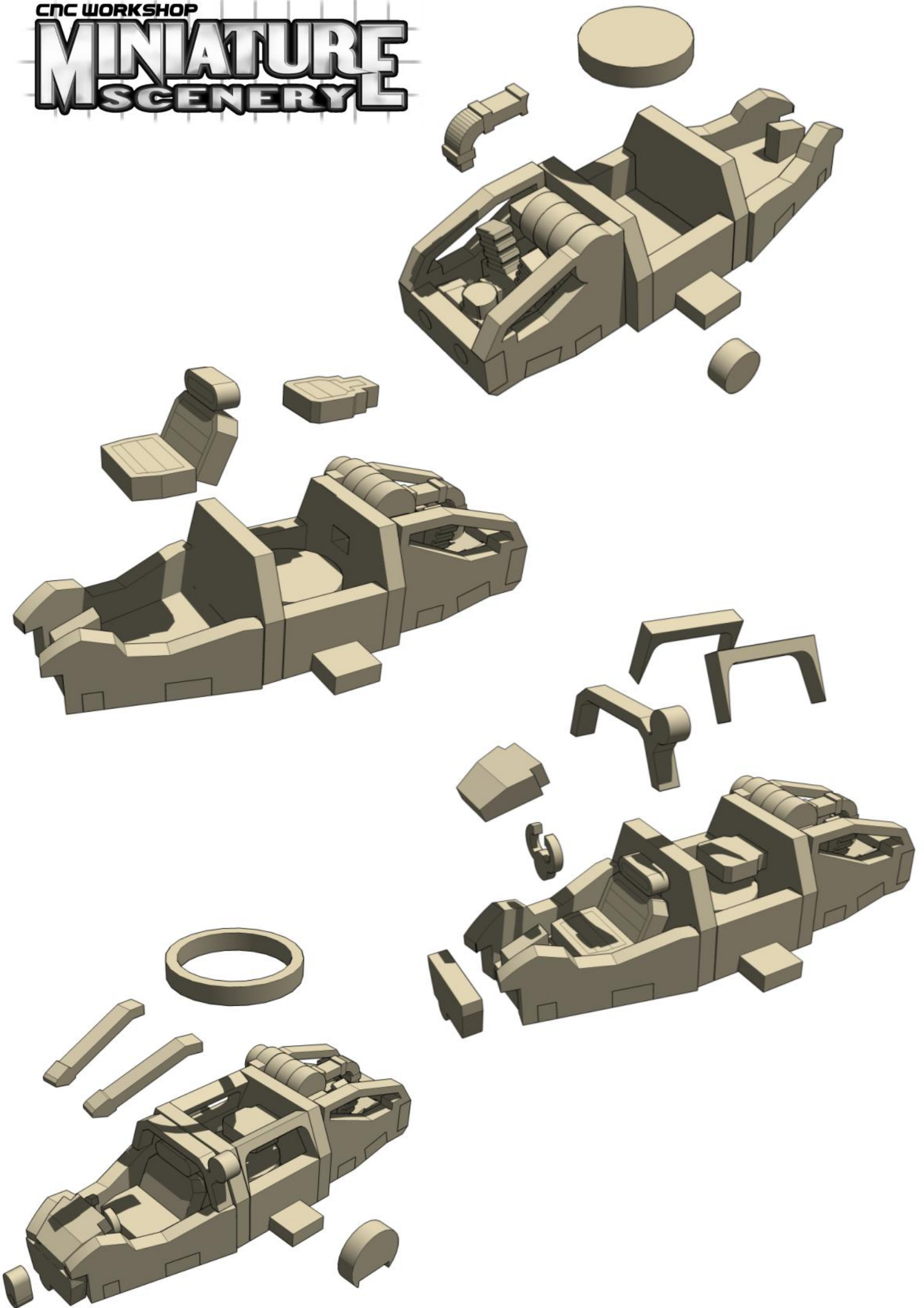
CNC WORKSHOP

# MINIATURE SCENERY

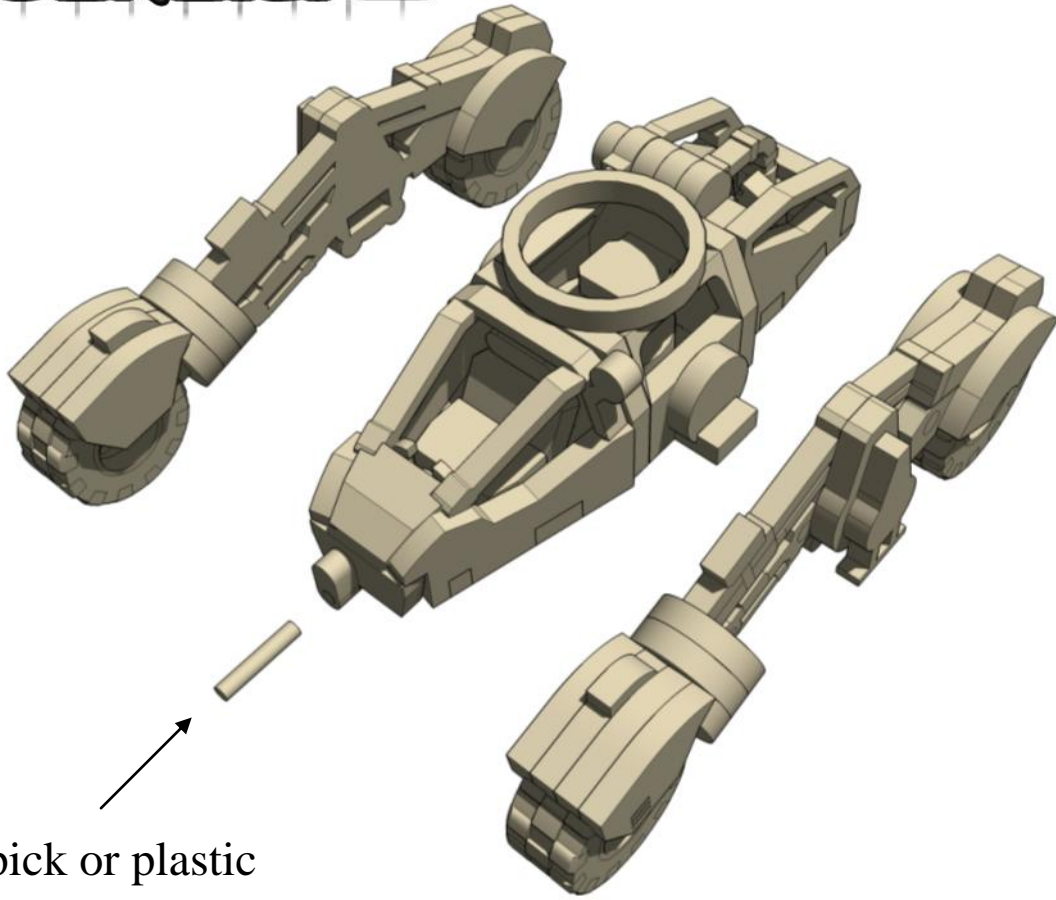


CNC WORKSHOP

# MINIATURE SCENERY



# MINIATURE SCENERY



Toothpick or plastic  
Tubing.

