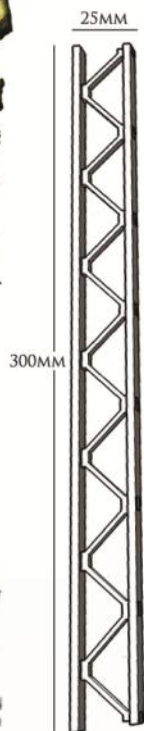
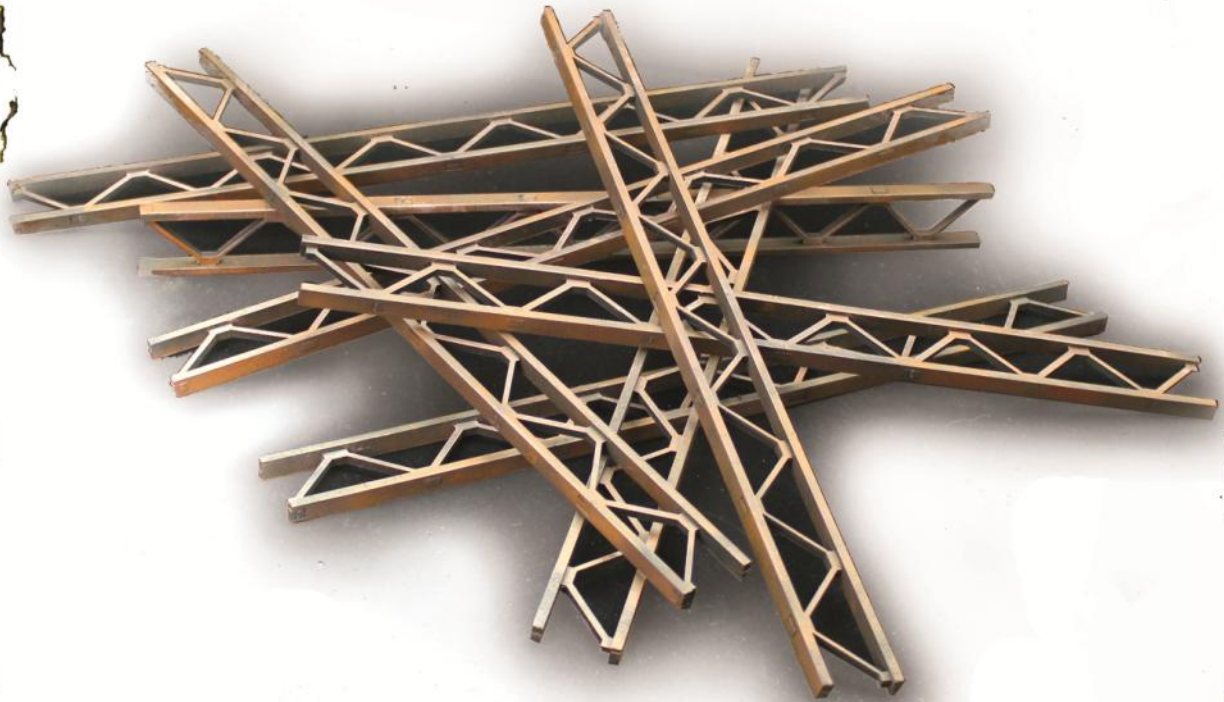


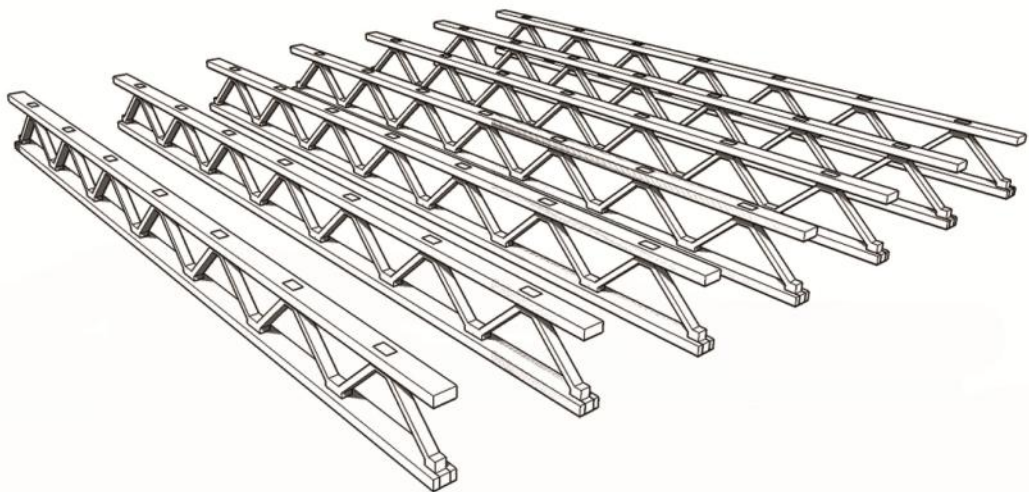
CNC WORKSHOP

MINIATURE SCENERY

LARGE GIRDERS



GREAT FOR DIY TERRAIN BUILDING PROJECTS AND DIORAMAS. PACK INCLUDES 8 LARGE GIRDERS. DESIGNED FOR 25MM MODELS, IDEAL FOR GAMERS AND COLLECTORS.



FOR DETAILED, EASY TO FOLLOW INSTRUCTIONS VISIT
WWW.MINIATURESCENERY.COM

Preparation

Once you clear some table space you will need a pair of side cutters and glue (PVA, wood glue, hobby glue). A file or small piece of sandpaper can be used to clean along any edges that have burr.

It's a good idea to familiarise yourself with how the pieces fit together before gluing.

Getting Started

I. Remove all the parts out of the board with your cutters.

II. Go over each part again with the cutters removing as much of the tabs as possible (this greatly reduces the time needed with the file or sand paper).

III. Use a file or sand paper last to completely remove the tabs that might remain.

IV. Parts may be a very tight fit, slight trimming or sanding of parts may be needed for ease of assembly.

Construction

Slot the parts together as shown by the pictures below, applying glue wherever there is a connection.

Allow the model to completely dry before painting it.

